

Dell™ PowerEdge™
M905, M805, M710, M610,
M605, and M600 Systems
Information Update



Notes and Cautions



NOTE: A NOTE indicates important information that helps you make better use of your computer.



CAUTION: A CAUTION indicates potential damage to hardware or loss of data if instructions are not followed.

Information in this document is subject to change without notice.

© 2008–2009 Dell Inc. All rights reserved.

Reproduction of these materials in any manner whatsoever without the written permission of Dell Inc. is strictly forbidden.

Trademarks used in this text: *Dell*, and *DELL* logo, *PowerEdge*, *PowerConnect*, and *OpenManage* are trademarks of Dell Inc.; *Microsoft*, *Windows*, and *Windows Server* are either trademarks or registered trademarks of Microsoft Corporation in the United States and/or other countries.

Other trademarks and trade names may be used in this document to refer to either the entities claiming the marks and names or their products. Dell Inc. disclaims any proprietary interest in trademarks and trade names other than its own.

Microsoft® Updates

The following issues are documented on the Microsoft Help and Support website at support.microsoft.com:

- Systems running Microsoft® Windows Server® 2003 or Windows Server 2008 cannot be set into hibernation mode if they have more than 4 GB of memory installed. For more information, see the knowledge base article at support.microsoft.com/kb/888575.
- Systems running Windows Server 2008 do not support iSCSI boot when they have an SD card installed in the internal SD module. In addition, iSCSI boot does not work when an external USB storage device is plugged into the system. This is a known issue by Microsoft. For more information, see the knowledge base article at support.microsoft.com/kb/968410.

Dell Update Package Information

During the Dell Update Package (DUP) installation process you may see messages related to the following:



NOTE: These messages are for information only.

- Windows hardware detection
- Windows hardware configuration problem
- Re-enumeration of VFlash and momentary drive letter changes in Windows



CAUTION: It is recommended that no write operations take place (or performed) during DUP installation on VFlash.

- Request for system reboot after the interface to the Unified Server Configurator driver or the diagnostic repository closes



NOTE: Reboot the system only after the complete message is displayed.

Options for Memory Power and Performance Management

The options for memory power and performance management in the **Power Management** screen are **Maximum Performance**, a specified frequency, or *Minimum Power*.

System Memory — PowerEdge M710

The following table is an addition to Table 3-5 "Examples of PowerEdge M710 Memory Configurations" in your *Hardware Owner's Manual*.

Total Physical Memory	Memory Modules – Number and Type	Memory Module Locations	Processors	Memory Mode	Available Memory
24 GB	12 2-GB RDIMMs	A2, A3, A5, A6, A8, A9, B2, B3, B5, B6, B8, B9	Two	Advanced ECC	24 GB

System Specifications Update

Memory — Dell™ PowerEdge™ M905 and Dell PowerEdge M805

Architecture	DDR2 memory modules, rated for 800-MHz operation
--------------	--

PowerEdge Blades — I/O Module Port Mapping (Quad-Port Mezzanine Cards)

The following table illustrates the I/O module port mapping for a half-height blade with the quad-port mezzanine card. In the following table, n denotes a variable value from 1 to 16.


 **NOTE:** For a detailed mapping of each PowerEdge system, see the document *Quadport Capable Hardware For the M1000e Modular Chassis* on support.dell.com/manuals.

Table 1-1. I/O Module Port Assignments—Half-Height Blades

Blade n	I/O Module					
	A1	B1	C1	C2	B2	A2
Integrated LOM1	Port n					
Integrated LOM2						Port n
Mezz_FAB_B_Blade n _Port1			Port n			
Mezz_FAB_B_Blade n _Port2					Port n	
Mezz_FAB_B_Blade n _Port3			Port ($n+16$)			
Mezz_FAB_B_Blade n _Port4					Port ($n+16$)	
Mezz_FAB_C_Blade n _Port1			Port n			
Mezz_FAB_C_Blade n _Port2				Port n		
Mezz_FAB_C_Blade n _Port3			Port ($n+16$)			
Mezz_FAB_C_Blade n _Port4				Port ($n+16$)		

The following table illustrates the I/O module port mapping for full-height blades with quad-port mezzanine cards. The following notations are used in the table:

- n denotes a variable value from 1 to 8
- LOM1 and LOM2 are the LOM ports of blade n and LOM3 and LOM4 are the LOM ports of blade $(n+8)$



NOTE: For a detailed mapping of each PowerEdge system, see the document *Quadport Capable Hardware For the M1000e Modular Chassis* on support.dell.com/manuals.

Table 1-2. I/O Module Port Assignments—Full-Height Blades

Blade n and Blade $(n + 8)$	I/O Module					
	A1	B1	C1	C2	B2	A2
Integrated LOM1	Port n					
Integrated LOM2						Port n
Integrated LOM3	Port $(n+8)$					
Integrated LOM4						Port $(n+8)$
Mezz_FAB_B_Blade n _Port1		Port n				
Mezz_FAB_B_Blade n _Port2					Port n	
Mezz_FAB_B_Blade n _Port3		Port $(n+16)$				
Mezz_FAB_B_Blade n _Port4					Port $(n+16)$	
Mezz_FAB_C_Blade n _Port1			Port n			
Mezz_FAB_C_Blade n _Port2				Port n		
Mezz_FAB_C_Blade n _Port3			Port $(n+16)$			
Mezz_FAB_C_Blade n _Port4				Port $(n+16)$		

Table 1-2. I/O Module Port Assignments—Full-Height Blades (continued)

Blade <i>n</i> and Blade (<i>n</i> + 8)	I/O Module					
	A1	B1	C1	C2	B2	A2
Mezz_FAB_B_Blade <i>n</i> +8_Port1		Port (<i>n</i> +8)				
Mezz_FAB_B_Blade <i>n</i> +8_Port2					Port (<i>n</i> +8)	
Mezz_FAB_B_Blade <i>n</i> +8_Port3		Port (<i>n</i> +24)				
Mezz_FAB_B_Blade <i>n</i> +8_Port4					Port (<i>n</i> +24)	
Mezz_FAB_C_Blade <i>n</i> +8_Port1			Port (<i>n</i> +8)			
Mezz_FAB_C_Blade <i>n</i> +8_Port2					Port (<i>n</i> +8)	
Mezz_FAB_C_Blade <i>n</i> +8_Port3			Port (<i>n</i> +24)			
Mezz_FAB_C_Blade <i>n</i> +8_Port4					Port (<i>n</i> +24)	

PowerEdge Blades — Compatibility Matrix For the Quad-Port Mezzanine Cards

The following tables shows the compatibility of the PowerEdge blade systems with the quad-port mezzanine card. The following notations are used in the table.

- X denotes that the mezzanine card ports are supported on the IOM fabric.
- A blank value denotes that the mezzanine card ports are not supported on the IOM fabric.
- N/A denotes that the fabric does not exist for the corresponding half-height blades.

Table 1-3. Configuration Matrix for Quad-Port Mezzanine Card

PowerEdge Blade	Fabric B1		Fabric C1		Fabric B2		Fabric C2	
	Port 1 and 2	Port 3 and 4	Port 1 and 2	Port 3 and 4	Port 1 and 2	Port 3 and 4	Port 1 and 2	Port 3 and 4
M710	X	X	X	X	X	X	X	
M905	X	X			X	X		
M805	X	X			X	X		
M605	X	X			N/A	N/A	N/A	N/A
M610	X	X	X	X	N/A	N/A	N/A	N/A
M600	X	X	X	X	N/A	N/A	N/A	N/A

PowerEdge M905, M805, and M710 Blades — I/O Module Port Mapping (Dual-Port Mezzanine Cards)

The following tables correct portions of Table 1-12 in the "About Your System" section of your *Hardware Owner's Manual*.

Table 1-4. I/O Module Port Assignments—Full-Height Blades

Blade 1	I/O Module					
	A1	B1	C1	C2	B2	A2
Integrated LOM1	Port 1					Port 1
Integrated LOM2	Port 9					Port 9
Mezz1_Fab_C			Port 1	Port 1		
Mezz2_Fab_B		Port 1			Port 1	
Mezz3_Fab_C			Port 9	Port 9		
Mezz4_Fab_B		Port 9			Port 9	

Blade 4	I/O Module					
	A1	B1	C1	C2	B2	A2
Integrated LOM1	Port 4					Port 4
Integrated LOM2	Port 12					Port 12
Mezz1_Fab_C			Port 4	Port 4		
Mezz2_Fab_B		Port 4			Port 4	
Mezz3_Fab_C			Port 12	Port 12		
Mezz4_Fab_B		Port 12			Port 12	

Blade 8	I/O Module					
	A1	B1	C1	C2	B2	A2
Integrated LOM1	Port 8					Port 8
Integrated LOM2	Port 16					Port 16
Mezz1_Fab_C			Port 8	Port 8		
Mezz2_Fab_B		Port 8			Port 8	
Mezz3_Fab_C			Port 16	Port 16		
Mezz4_Fab_B		Port 16			Port 16	

Blade 6	I/O Module					
	A1	B1	C1	C2	B2	A2
Integrated LOM1	Port 6					Port 6
Integrated LOM2	Port 14					Port 14
Mezz1_Fab_C			Port 6	Port 6		
Mezz2_Fab_B		Port 6			Port 6	
Mezz3_Fab_C			Port 14	Port 14		
Mezz4_Fab_B		Port 14			Port 14	

PowerEdge™ Blades — Dell™ OpenManage™ Version Requirements

The PowerEdge M905 and M805 blades require OpenManage systems management software version 5.4.3 or later.



NOTE: OpenManage version 5.4.3 does not support PowerEdge M600 or M605 blades.

The PowerEdge M610 and M710 blades require OpenManage systems management software version 6.0.1 or later.



NOTE: OpenManage version 6.0.1 does not support PowerEdge M600, M605, M805, or M905 blades.

PowerEdge Blades — CMC Firmware Requirements

PowerEdge M905 and M805 blades require CMC firmware version 1.2 or later. PowerEdge M610 and M710 blades require CMC firmware version 2.0 or later. If you add these blades to an M1000e enclosure with an older CMC firmware version, the new blades will not power on.



NOTE: See the latest *Dell Chassis Management Controller User's Guide* at support.dell.com for complete instructions on how to configure and operate the CMC module.

Updating the CMC Firmware

Downloading the CMC Firmware

Before beginning the firmware update, download the latest firmware version from the support.dell.com website, and save it to your local system.

The following software components are included with your CMC firmware package:

- Compiled CMC firmware code and data
- Web-based interface, JPEG, and other user interface data files
- Default configuration files

Use the **Firmware Update** page to update the CMC firmware to the latest revision.




NOTE: See the latest *Dell Chassis Management Controller User's Guide* at support.dell.com for complete instructions on how to configure and operate the CMC module.



NOTE: The firmware update, by default, will retain the current CMC settings. During the update process, you have the option to reset the CMC configuration settings back to the factory default settings.

Updating Firmware in a Redundant CMC Configuration

 **CAUTION: In a redundant CMC configuration, you must update CMC firmware on both modules. Failure to do so may cause unexpected behavior during a CMC failover or failback. Use the following procedure for redundant CMC deployments.**

- 1 Locate the secondary or standby CMC by using the RACADM `getsysinfo` command, or by using the **Chassis Summary** page in the **Web-based interface**. The status indicator will be solid blue on the primary or active CMC module and off on the standby or secondary CMC.
- 2 Update the firmware on the standby CMC first. See "Updating the CMC Firmware Using the Web-based Interface" or "Updating the CMC Firmware Using RACADM."
- 3 Verify that the secondary or standby CMC's firmware is at the requested level with the `getsysinfo` command or through the **Web-based interface**.
- 4 After the standby CMC has rebooted, update the firmware on the active or primary CMC. Allow 10 minutes for the standby CMC to boot.
See "Updating the CMC Firmware Using the Web-based Interface" or "Updating the CMC Firmware Using RACADM."
- 5 Verify that the active or primary CMC firmware is at the requested level using the `getsysinfo` command or through the **Web-based interface**.
- 6 Once both CMCs are updated to the same firmware revision, use the `cmchangeover` command to reset the CMC in the left slot as primary.

Updating the CMC Firmware Using the Web-based Interface

- 1 Log in to the Web-based interface. See "Logging in to the CMC Using the Web-Based Interface" in your M1000e *Configuration Guide*.
- 2 Click **Chassis** in the system tree.
- 3 Click the **Update** tab. The **Updatable Components** page appears.
- 4 On the **Updatable Components** page, click the CMC name. The **Firmware Update** page appears.

- 5 In the **Value** field, type the path on your management station or shared network where the firmware image file resides, or click **Browse** to navigate to the file location.



NOTE: The default CMC firmware image name is `firmimg.cmc` and the filename should not be changed. Keep different firmware revisions separated as the file name will always be the same.

- 6 Click **Update**. A dialog box appears asking you to confirm the action.
- 7 Click **Yes** to continue. The firmware transfer process will begin and the status will display the message "Firmware Update in Progress." Once the CMC update is complete, the CMC will be reset. Once the reset is complete, you will need to refresh the **User Interface** page to log in again.

Updating the CMC Firmware Using RACADM

- 1 Open a CMC command line console and log in.
- 2 Type:

```
racadm fwupdate -g -u -a <TFTP server IP address>  
-d <filepath> -m <cmc-active|cmc-standby>
```

See the latest *Dell Chassis Management Controller User's Guide* at support.dell.com for complete instructions on how to configure and operate the CMC module.

PowerEdge M905 and M805 Blades — Memory Sparing Requirements

The following information updates the memory sparing subsections in your *Hardware Owner's Manual* and these blades' system information labels.

PowerEdge M905

Memory sparing is supported if 24 identical memory modules (DIMMs) are installed.

PowerEdge M805

Memory sparing is supported if 16 identical memory modules are installed.

New Mezzanine Cards

Your blade now supports the following additional mezzanine cards:

- Intel® Gigabit ET Quad-Port Mezzanine Card. See "Configuration Matrix for Quad-Port Mezzanine Card" on page 8 for the support matrix.
- Broadcom NetXExtreme II 5709 Quad Port Ethernet Mezzanine Card for M-Series Blades. See "Configuration Matrix for Quad-Port Mezzanine Card" on page 8 for the support matrix.
- Broadcom NetXtreme II 57711 Dual Port 10 Gb Ethernet Mezzanine Card with TOE and iSCSI Offload for M-Series Blades
- Broadcom 57710 10 Gb Ethernet card
- Emulex LPe1205-M FC8 card
- ConnectX MDI QDR



NOTE: CMC firmware version 1.3 is required to support FC8 mezzanine cards and I/O modules.



NOTE: CMC firmware version 2.0 is required to support link tuning in mezzanine cards.

For information on installing a mezzanine card, see "Installing System Components" in your *Hardware Owner's Manual*. For detailed information on configuring a particular card, see the card's documentation on support.dell.com.

New I/O Modules

Your system now supports the following additional I/O modules:

- Dell PowerConnect™ M8024 10 Gb Ethernet switch module
- Mellanox M2401G DDR Infiniband switch module
- Brocade M5424 FC8 switch module
- Mellanox M3601Q QDR Infiniband switch module



NOTE: CMC firmware version 1.3 is required to support FC8 mezzanine cards and I/O modules.

These modules are hot-swappable, and may be installed in Fabric B or Fabric C. Please note the following additional details:

- The M8024 Ethernet switch module may also be installed in Fabric A, but will only operate at 1 Gb in this Fabric.
- Due the dual-wide nature of the M3601Q QDR switch and physical constraints of the M1000e, this switch module when installed would span both fabric B and C of the I/O module bank.
- For general information on installing I/O modules, see "I/O Modules" in your *Hardware Owner's Manual*.

PowerConnect M8024 10 Gb Ethernet Switch I/O Module

The PowerConnect M8024 switch module incorporates two option bays that support the following modules:

- A 10 Gb Ethernet module with four optical SFP+ connectors
- A 10 Gb Ethernet module with three copper CX4 uplinks

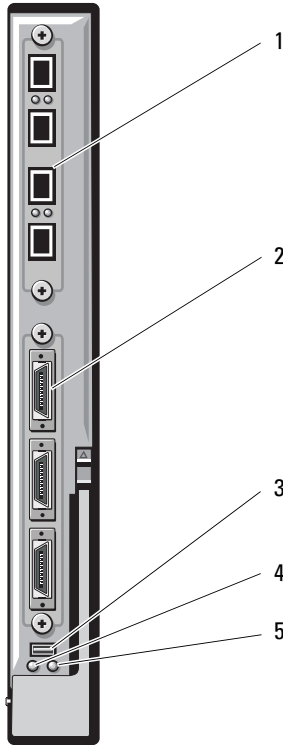
The modules can be used in any combination and are sold separately.

You can initially configure the switch using either of two methods:

- Connect an external management system to the switch using an optional USB type-A form factor serial cable, and configure the switch using a terminal application.
- Use the iKVM CMC console ("17th blade") and the **connect switch-n** CMC CLI command. For more information, see the CMC user's guide.

Once an IP address is assigned to the management VLAN or interface and the switch is connected to a management network, both Telnet and http are available through the network.

Figure 1-1. PowerConnect M8024 Switch Module

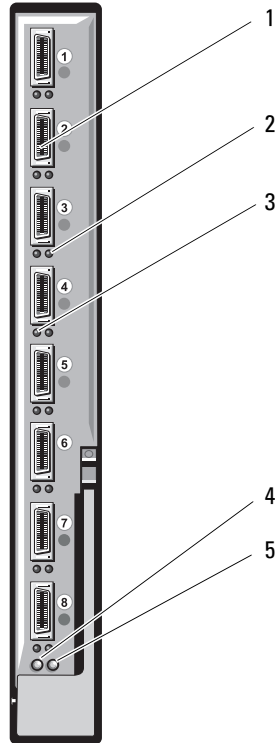


- | | | | |
|---|--|---|--------------------------------------|
| 1 | optional module with four SFP+ ports | 2 | optional module with three CX4 ports |
| 3 | serial connector for optional USB type-A form-factor cable | 4 | module power indicator |
| 5 | status/identification indicator | | |

Mellanox M2401G Infiniband Switch I/O Module

The Mellanox M2401G Infiniband switch I/O module includes 24 4x DDR Infiniband ports. Eight ports are external uplink ports, while 16 internal ports provide connectivity to the blades in the enclosure.

Figure 1-2. Mellanox M2401G Infiniband Switch Module




- | | | | |
|---|---------------------------------|---|---------------------------------|
| 1 | Infiniband ports (8) | 2 | port link status indicators (8) |
| 3 | port activity indicators (8) | 4 | module power indicator |
| 5 | status/identification indicator | | |

Table 1-5. Mellanox M2401G Infiniband Switch Indicators

Indicator	Pattern	Description
Link indicator	Green, on	Physical link established
	Green, off	No physical link present
Activity indicator	Amber, on	Valid logical link to Infiniband network established
	Amber, blinking	Data transfer is occurring
	Amber, off	No logical link to Infiniband network

Brocade M5424 FC8 I/O Module

The Brocade M5424 I/O module includes eight external autosensing Fibre Channel ports (four ports are enabled in the standard configuration and four additional ports may be enabled as an optional upgrade), 16 internal ports, and one serial port with an RJ-45 connector. The external Fibre Channel ports operate at 8 Gb/sec, 4 Gb/sec, or 2 Gb/sec.

 **NOTE:** CMC firmware version 1.3 is required to support FC8 mezzanine cards and I/O modules.


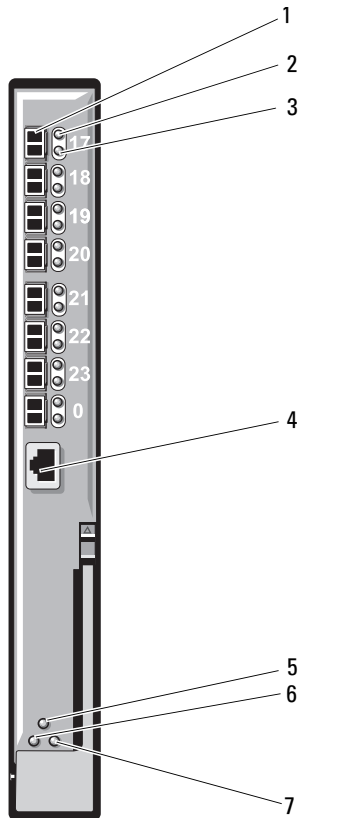
 **NOTE:** This Fibre Channel switch module includes Short Wave Small Form Factor Pluggable (SFP) optical transceivers. To ensure proper functionality, use only SFPs provided with this module.

Figure 1-3. Brocade M5424 FC8 I/O Module



- | | | | |
|---|--|---|---|
| 1 | Fibre Channel port (8) | 2 | Fibre Channel port status indicator (8) |
| 3 | Fibre Channel port speed indicator (8) | 4 | serial port (RJ-45 connector) |
| 5 | status indicator | 6 | module power indicator |
| 7 | status/identification indicator | | |

Table 1-6. Brocade M5424 FC8 I/O Module

Indicator Type	Pattern	Description
Fibre Channel port status indicator	Off	No signal carrier
	Amber on	Signal present but not online
	Green on	Online, but no activity
	Green blinking slowly	Online but segmented
	Green blinking quickly	Internal loopback
	Green flickering	I/O activity on port
	Amber blinking slowly	Port disabled
Fibre Channel port speed indicator	Amber blinking rapidly	Error or fault with port
	Off	2 Gb link established
	Green on	4 Gb link established
Module status indicator	Amber on	8 Gb link established
	Off	Module is off or enclosure power is off.
	Green on	All ports are ready for use.
Module power indicator	Amber on	Module is booting being reset, or ports are offline.
	Green/amber blinking	Diagnostic message is in error log, or environmental range is exceeded.
	Off	Power to the module is off.
Status/identification indicator	Green	Module has power.
	Blue on	Primary module in a stack, if applicable
	Blue off	Secondary module in a stack
	Amber flashing	Fault condition in module

Updates on Hard Drive Installation

- The PowerEdge M805 and M905 blades support one or two 2.5-inch SAS hard-disk drives.
- The PowerEdge M710 blade supports one to four 2.5 inch SAS hard drives.
- The PowerEdge M610, M600 and M605 blades support one or two 2.5-inch SATA hard drives, one or two 2.5-inch SAS hard drives, or one or two solid-state disk (SSD) hard drives.



NOTE: SAS and SATA hard drives cannot be mixed within a blade.



NOTE: Hot-plug operation is supported if an optional RAID controller card is installed.



NOTE: SATA hard drives are not hot swappable with the SATA repeater daughter card.



CAUTION: To ensure proper airflow for cooling of the blade, each hard drive bay must contain either an active hard drive or a drive blank.

Hard-Drive Installation Guidelines

- If a RAID controller storage card is installed, the blade supports hot-plug drive removal and installation.
- If less than the maximum number of hard drives are installed, hard drive blanks must be installed to maintain proper cooling airflow.

Installing a Hard Drive



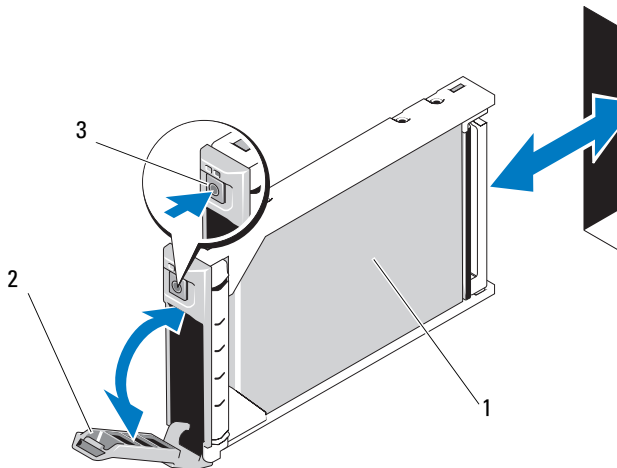
NOTE: When a replacement hot-swappable hard drive is installed and the blade is powered on, the hard drive automatically begins to rebuild. Ensure that the replacement hard drive is blank or contains data that you wish to have over-written. Any data on the replacement hard drive is immediately lost after the hard drive is installed.



NOTE: Not all operating systems support hot-plug drive installation. See the documentation supplied with your operating system.

- 1 Open the hard-drive carrier handle. See Figure 1-4.

Figure 1-4. Installing a Hard Drive



- | | | | |
|---|----------------|---|----------------|
| 1 | hard drive | 2 | carrier handle |
| 3 | release button | | |

- 2 Insert the hard-drive carrier into the drive bay. Carefully align the channel on the hard drive carrier with the appropriate drive slot on the blade.
- 3 Push the drive carrier into the slot until the handle makes contact with the blade.
- 4 Rotate the carrier handle to the closed position while pushing the carrier into the slot until it locks into place.

The status LED indicator displays a steady green light if the drive is installed correctly. The drive carrier LED green indicator flashes as the drive rebuilds. If the drive carrier LED does not light, see "Troubleshooting SAS and SATA Drives" in your *Hardware Owner's Manual*.

Removing a Hard Drive



NOTE: Not all operating systems support hot-plug drive installation. See the documentation supplied with your operating system.

- 1 Take the hard drive offline and wait until the hard-drive indicator codes on the drive carrier signal that the drive may be removed safely.

When all indicators are off, the drive is ready for removal.

See your operating system documentation for more information on taking the hard drive offline.

- 2 Open the hard-drive carrier handle to release the drive. See Figure 1-4.
- 3 Slide the hard drive out until it is free of the drive bay.

If you are permanently removing the hard drive, install a blank insert.

Shutdown Procedure for Servicing a Hard Drive



NOTE: This section applies only to situations where the blade must be powered down to service a hard drive. In many situations, the hard drive can be serviced while the blade is powered on.

If you need to power off the blade to service a hard drive, wait 30 seconds after the blade's power indicator turns off before removing the hard drive. Otherwise, the hard drive may not be recognized after the hard drive is reinstalled and the blade is powered on again.

Configuring the Boot Drive

The drive or device from which the system boots is determined by the boot order specified in the System Setup program. See "Using the System Setup Program and UEFI Boot Manager" in the *Hardware Owner's Manual*.

Removing a Hard Drive From a Hard-Drive Carrier



CAUTION: Always wear a wrist grounding strap when handling equipment with static-sensitive components.

If you are replacing a drive in the carrier, remove the four screws from the slide rails on the hard-drive carrier and separate the hard drive from the carrier. See Figure 1-5.

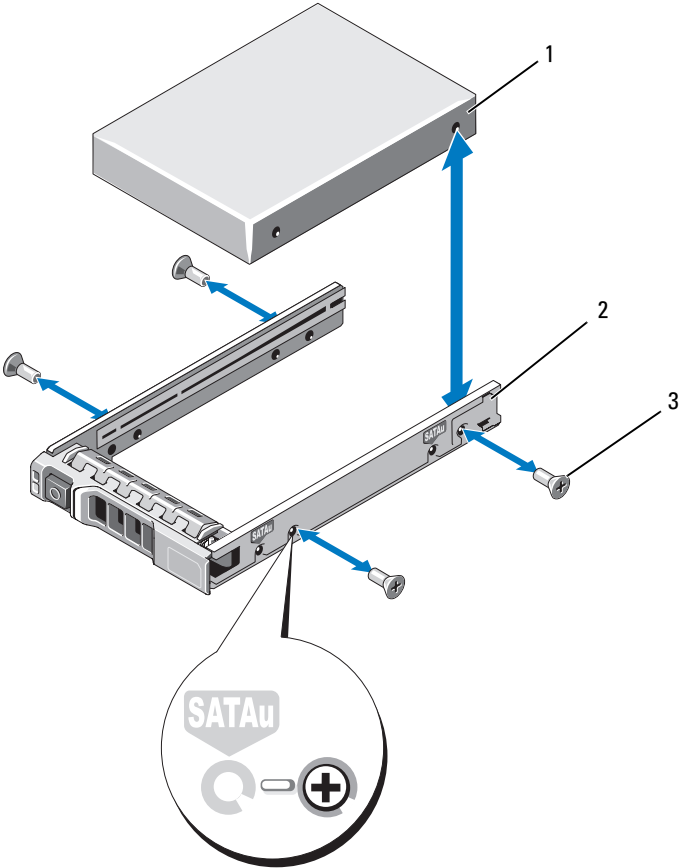
Installing a Hard Drive In a Drive Carrier

- 1 Insert the hard drive into the hard-drive carrier with the drive's controller board's connector end of the drive at the back of the carrier. See Figure 1-5.
- 2 From the back of the carrier, slide the drive into the carrier until it contacts the stop tab on the front of the carrier.
- 3 Align the screw holes on the hard drive with the holes on the hard-drive carrier. For SATA drives, align the drive mounting holes with the carrier mounting holes marked **SATA**. See Figure 1-5.
- 4 Attach the four screws to secure the hard drive to the hard-drive carrier.



CAUTION: To avoid damaging the drive or the carrier, do not overtighten the screws.

Figure 1-5. Removing and Installing a Hard Drive In a Drive Carrier



- 1 hard drive
- 2 drive carrier
- 3 screws (4)

Dell™ PowerEdge™ M905、
M805、 M710、 M610、
M605 和 M600 系统
信息更新



注和小心



注：“注”表示可以帮助您更好地使用计算机的重要信息。



小心：“小心”表示如果不遵循说明，就有可能损坏硬件或导致数据丢失。

本说明文件中的信息如有更改，恕不另行通知。

© 2008-2009 Dell Inc. **版权所有，翻印必究。**

未经 Dell Inc. 书面许可，严禁以任何形式复制这些材料。

本文中使用的商标：*Dell*、*DELL* 徽标、*PowerEdge*、*PowerConnect* 和 *OpenManage* 是 Dell Inc. 的商标；*Microsoft*、*Windows* 和 *Windows Server* 是 Microsoft Corporation 在美国和 / 或其它国家 / 地区的商标或注册商标。

本说明文件中提及的其它商标和产品名称是指拥有相应商标和产品名称的公司或其制造的产品。Dell Inc. 对本公司的商标和产品名称之外的其它商标和产品名称不拥有任何专有权。

Microsoft® 更新

以下问题已记录到 Microsoft 帮助和支持网站 support.microsoft.com：

- 运行 Microsoft® Windows Server® 2003 或 Windows Server 2008 的系统如果安装有 4 GB 以上的内存，则不能设置进入休眠模式。有关详情，请参阅知识库文章：support.microsoft.com/kb/888575。
- 运行 Windows Server 2008 的系统如果在内部 SD 模块中安装有 SD 卡，则不支持 iSCSI 引导。此外，当外部 USB 存储设备插入系统时，iSCSI 引导无法工作。这是 Microsoft 已知的问题。有关详情，请参阅知识库文章：support.microsoft.com/kb/968410。

Dell Update Package 信息

在安装 Dell Update Package (DUP) 的过程中，您可能会看到与下列情况相关的消息：



注： 这些消息仅供参考。

- Windows hardware detection (Windows 硬件检测)
- Windows hardware configuration problem (Windows 硬件配置问题)
- Re-enumeration of VFlash and momentary drive letter changes in Windows (Windows 中 VFlash 重新枚举和驱动器号临时更改)



小心： 建议在 VFlash 上安装 DUP 的过程中不要执行任何写操作。

- 关闭与 Unified Server Configurator 驱动程序或诊断存储库之后，需要重新引导系统



注： 仅当完整消息显示后才能重新引导系统

内存电源和性能管理的选项

Power Management（电源管理）屏幕中的内存电源和性能管理选项有 Maximum Performance（最佳性能）、指定频率或 *Minimum Power*（最低性能）。

系统内存 — PowerEdge M710

下表是《硬件用户手册》中表 3-5“PowerEdge M710 内存配置示例”的补充。

物理内存总容量	内存模块—数量和类型	内存模块位置	处理器	内存模式	可用内存
24 GB	12 个 2-GB RDIMM	A2、A3、A5、A6、A8、A9、B2、B3、B5、B6、B8、B9	两个	高级 ECC	24 GB

系统规格更新

内存 — Dell™ PowerEdge™ M905 和 Dell PowerEdge M805

体系结构 DDR2 内存模块，额定运行速率为 800 MHz

PowerEdge 刀片 — I/O 模块端口映射 (四端口夹层卡)

下表说明带有四端口夹层卡的半高刀片的 I/O 模块端口映射。在下表中， n 表示从 1 到 16 的变量值。


 **注：**有关每个 PowerEdge 系统映射的详情，请参阅 support.dell.com/manuals 上的文档 *Quadport Capable Hardware For the M1000e Modular Chassis*（《M1000e 模块化机箱所用的四端口硬件》）。

表 1-1. I/O 模块端口分配 — 半高刀片

刀片 n	I/O 模块					
	A1	B1	C1	C2	B2	A2
集成 LOM1	端口 n					
集成 LOM2						端口 n
Mezz_FAB_B_Blade n _Port1			端口 n			
Mezz_FAB_B_Blade n _Port2					端口 n	
Mezz_FAB_B_Blade n _Port3			端口 ($n+16$)			
Mezz_FAB_B_Blade n _Port4					端口 ($n+16$)	
Mezz_FAB_C_Blade n _Port1			端口 n			
Mezz_FAB_C_Blade n _Port2				端口 n		
Mezz_FAB_C_Blade n _Port3			端口 ($n+16$)			
Mezz_FAB_C_Blade n _Port4				端口 ($n+16$)		

下表说明带有四端口夹层卡的全高刀片的 I/O 模块端口映射。表中使用以下符号：

- n 表示从 1 到的 8 的变量值
- LOM1 和 LOM2 是刀片 n 的 LOM 端口，LOM3 和 LOM4 是刀片 $(n+8)$ 的 LOM 端口



注：有关每个 PowerEdge 系统映射的详情，请参阅 support.dell.com/manuals 上的文档 *Quadport Capable Hardware For the M1000e Modular Chassis*（《M1000e 模块化机箱所用的四端口硬件》）。

表 1-2. I/O 模块端口分配 — 全高刀片

刀片 n 和刀片 $(n+8)$	I/O 模块					
	A1	B1	C1	C2	B2	A2
集成 LOM1	端口 n					
集成 LOM2						端口 n
集成 LOM3	端口 $(n+8)$					
集成 LOM4						端口 $(n+8)$
Mezz_FAB_B_Blade n _Port1	端口 n					
Mezz_FAB_B_Blade n _Port2					端口 n	
Mezz_FAB_B_Blade n _Port3	端口 $(n+16)$					
Mezz_FAB_B_Blade n _Port4					端口 $(n+16)$	
Mezz_FAB_C_Blade n _Port1			端口 n			
Mezz_FAB_C_Blade n _Port2			端口 n			
Mezz_FAB_C_Blade n _Port3			端口 $(n+16)$			
Mezz_FAB_C_Blade n _Port4			端口 $(n+16)$			
Mezz_FAB_B_Blade $n+8$ _Port1	端口 $(n+8)$					

表 1-2. I/O 模块端口分配 — 全高刀片 (续)

刀片 n 和刀片 ($n+8$)	I/O 模块					
	A1	B1	C1	C2	B2	A2
Mezz_FAB_B_Blade $n+8_Port2$					端口 ($n+8$)	
Mezz_FAB_B_Blade $n+8_Port3$		端口 ($n+24$)				
Mezz_FAB_B_Blade $n+8_Port4$					端口 ($n+24$)	
Mezz_FAB_C_Blade $n+8_Port1$			端口 ($n+8$)			
Mezz_FAB_C_Blade $n+8_Port2$				端口 ($n+8$)		
Mezz_FAB_C_Blade $n+8_Port3$			端口 ($n+24$)			
Mezz_FAB_C_Blade $n+8_Port4$				端口 ($n+24$)		

PowerEdge 刀片 — 四端口夹层卡的兼容性值表

下表显示 PowerEdge 刀片系统与四端口夹层卡的兼容性。表中使用以下符号。

- X 表示 IOM 结构上支持夹层卡端口。
- 空白值表示 IOM 结构上不支持夹层卡端口。
- "无" 表示半高刀片所对应的结构不存在。

表 1-3. 四端口夹层卡的配置值表

PowerEdge 刀片	结构 B1		结构 C1		结构 B2		结构 C2	
	端口 1 和 2	端口 3 和 4	端口 1 和 2	端口 3 和 4	端口 1 和 2	端口 3 和 4	端口 1 和 2	端口 3 和 4
M710	X	X	X	X	X	X	X	
M905	X	X			X	X		
M805	X	X			X	X		
M605	X	X			无	无	无	无
M610	X	X	X	X	无	无	无	无
M600	X	X	X	X	无	无	无	无

PowerEdge M905、M805 和 M710 刀片 — I/O 模块端口映射（双端口夹层卡）

下表更正了《硬件用户手册》“关于系统”章节中表 1-12 的部分内容。

表 1-4. I/O 模块端口映射 — 全高刀片

刀片 1	I/O 模块					
	A1	B1	C1	C2	B2	A2
集成 LOM1	端口 1					端口 1
集成 LOM2	端口 9					端口 9
Mezz1_Fab_C			端口 1	端口 1		
Mezz2_Fab_B		端口 1			端口 1	
Mezz3_Fab_C			端口 9	端口 9		
Mezz4_Fab_B		端口 9			端口 9	


刀片 4	I/O 模块					
	A1	B1	C1	C2	B2	A2
集成 LOM1	端口 4					端口 4
集成 LOM2	端口 12					端口 12
Mezz1_Fab_C			端口 4	端口 4		
Mezz2_Fab_B		端口 4			端口 4	
Mezz3_Fab_C			端口 12	端口 12		
Mezz4_Fab_B		端口 12			端口 12	

刀片 8	I/O 模块					
	A1	B1	C1	C2	B2	A2
集成 LOM1	端口 8					端口 8
集成 LOM2	端口 16					端口 16
Mezz1_Fab_C			端口 8	端口 8		
Mezz2_Fab_B		端口 8			端口 8	
Mezz3_Fab_C			端口 16	端口 16		
Mezz4_Fab_B		端口 16			端口 16	


刀片 6	I/O 模块					
	A1	B1	C1	C2	B2	A2
集成 LOM1	端口 6					端口 6
集成 LOM2	端口 14					端口 14
Mezz1_Fab_C			端口 6	端口 6		
Mezz2_Fab_B		端口 6			端口 6	
Mezz3_Fab_C			端口 14	端口 14		
Mezz4_Fab_B		端口 14			端口 14	

PowerEdge™ 刀片 — Dell™ OpenManage™ 版本要求

PowerEdge M905 和 M805 刀片要求使用 5.4.3 版或更高版本的 OpenManage 系统管理软件。


 **注：** OpenManage 5.4.3 版不支持 PowerEdge M600 或 M605 刀片。

PowerEdge M610 和 M710 刀片要求 OpenManage 系统管理软件为 6.0.1 版或更高版本。

 **注：** OpenManage 6.0.1 版不支持 PowerEdge M600、M605、M805 或 M905 刀片。

PowerEdge 刀片 — CMC 固件要求

PowerEdge M905 和 M805 刀片要求 CMC 固件为 1.2 版或更高版本。PowerEdge M610 和 M710 刀片要求 CMC 固件为 2.0 版或更高版本。如果您将这些刀片装在 CMC 固件版本更低的 M1000e 机壳上，新刀片将无法通电。

 **注：** 请参阅 support.dell.com 上的最新《Dell 机箱管理控制器用户指南》以了解有关如何配置和操作 CMC 模块的完整说明。

更新 CMC 固件


下载 CMC 固件


在开始固件更新之前，从 support.dell.com Web 站点下载最新的固件版本，并保存到您的本地系统。

CMC 固件包包含以下软件组件：


- 编译的 CMC 固件代码和数据
- 基于 Web 的界面、JPEG 和其它用户界面数据文件
- 默认配置文件

使用 **Firmware Update**（固件更新）页面，将 CMC 固件更新为最新版本。

 **注：** 请参阅 support.dell.com 上的最新《Dell 机箱管理控制器用户指南》以了解有关如何配置和操作 CMC 模块的完整说明。

 **注：** 默认情况下，固件更新会保留当前的 CMC 设置。更新过程中，可以选择将 CMC 配置设置重设为出厂默认设置。

更新冗余 CMC 配置中的固件

 **小心：**在冗余 CMC 配置中，必须更新两个模块的 CMC 固件。否则可能会导致在 CMC 故障转移或故障回复期间出现意外行为。使用以下步骤进行冗余 CMC 部署。

- 1 使用 RACADM `getsysinfo` 命令或使用 Chassis Summary（机箱摘要）页面（位于 Web-based interface [基于 Web 的界面] 中）查找次级或备用 CMC。可以看到主 CMC 或活动 CMC 模块的状态指示灯呈纯蓝色，备用 CMC 或次级 CMC 的指示灯不亮。
- 2 首先更新备用 CMC 上的固件。请参阅“使用基于 Web 的界面更新 CMC 固件”或“使用 RACADM 更新 CMC 固件”。
- 3 使用 `getsysinfo` 命令或通过基于 Web 的界面验证次级 CMC 或备用 CMC 的固件已达到所要求的水准。
- 4 重新引导备用 CMC 后，更新活动或主 CMC 上的固件。
请留出 10 分钟引导备用 CMC。
请参阅“使用基于 Web 的界面更新 CMC 固件”或“使用 RACADM 更新 CMC 固件”。
- 5 使用 `getsysinfo` 命令或通过基于 Web 的界面验证活动 CMC 或主 CMC 的固件已达到所要求的水准。
- 6 一旦两个 CMC 都更新为相同的固件修订版本，使用 `cmchangeover` 命令将左插槽中的 CMC 重设为主 CMC。

使用基于 Web 的界面更新 CMC 固件

- 1 登录到基于 Web 的界面。请参阅 M1000e《配置指南》中的“使用基于 Web 的界面登录到 CMC”。
- 2 单击系统树中的 Chassis（机箱）。
- 3 单击 Update（更新）选项卡。此时将会显示 Updatable Components（可更新组件）页。
- 4 在 Updatable Components（可更新组件）页面上，单击 CMC 名称。显示 Firmware Update（固件更新）页面。
- 5 在 Value（值）字段中键入固件映像文件驻留的管理站或共享网络的路径，或单击 Browse（浏览）导航到文件位置。



注：默认 CMC 固件映像名称为 `firmimg.cmc`，且文件名不可更改。由于文件名始终相同，所以必须分开保存不同的固件版本。

- 6 单击 **Update**（更新）。显示一个对话框，要求您确认刚才的操作。
- 7 单击 **Yes**（是）继续。固件传输过程将开始，显示的状态消息为“Firmware Update in Progress.”（正在更新固件。）CMC 更新一旦完成，将重设 CMC。重设完成后，将需要刷新 **User Interface**（用户界面）页面以再次登录。

使用 RACADM 更新 CMC 固件

- 1 打开 CMC 命令行控制台并登录。
- 2 键入：

```
racadm fwupdate -g -u -a <TFTP 服务器 IP 地址 >  
-d <文件路径 > -m <cmc-active|cmc-standby>
```

请参阅 support.dell.com 上的最新《Dell 机箱管理控制器用户指南》以了解有关如何配置和操作 CMC 模块的完整说明。

PowerEdge M905 和 M805 刀片—内存备用要求

以下信息是对《硬件用户手册》中的内存备用小节以及这些刀片的系统信息标签的更新。

PowerEdge M905

如果已安装了 24 个完全相同的内存模块（DIMM），则可支持内存备用。

PowerEdge M805

如果已安装了 16 个完全相同的内存模块，则可支持内存备用。

新夹层卡

您的刀片目前支持以下附加的夹层卡：

- Intel® Gigabit ET 四端口夹层卡。请参阅第 34 页上的“四端口夹层卡的配置值表”，以获取有关支持值表的信息。
- M 系列刀片的 Broadcom NetXExtreme II 5709 四端口以太网夹层卡。请参阅第 34 页上的“四端口夹层卡的配置值表”，以获取有关支持值表的信息。
- 用于 M 系列刀片，且带有 TOE 和 iSCSI 卸载的 Broadcom NetXtreme II 57711 双端口 10 Gb 以太网夹层卡
- Broadcom 57710 10Gb 以太网卡
- Emulex LPe1205-M FC8 卡
- ConnectX MDI QDR



注：需要 CMC 固件版本 1.3 才能支持 FC8 夹层卡和 I/O 模块。



注：需要 CMC 固件版本 2.0 才能支持夹层卡中的链接调节。

有关夹层卡的信息，请参阅《硬件用户手册》中的“安装系统组件”。有关配置特定卡的详情，请参阅 support.dell.com 上该卡的说明文件。

新 I/O 模块

您的系统现在支持以下附加 I/O 模块：

- Dell PowerConnect™ M8024 10 Gb 以太网交换机模块
- Mellanox M2401G DDR Infiniband 交换机模块
- Brocade M5424 FC8 交换机模块
- Mellanox M3601Q QDR Infiniband 交换机模块



注：需要 CMC 固件版本 1.3 才能支持 FC8 夹层卡和 I/O 模块。

这些模块可以热交换，并且可安装到结构 B 或结构 C 中。请注意以下其他详细信息：

- M8024 以太网交换机模块还可以安装到结构 A 中，但在此结构中将以 1 Gb 的速度运转。
- 由于 M3601Q QDR 交换机的双宽特性以及 M1000e 的物理限制，安装此交换机模块时将跨越 I/O 模块组的结构 B 和 C。
- 有关安装 I/O 模块的一般信息，请参阅《硬件用户手册》中的“I/O 模块”。

PowerConnect M8024 10 Gb 以太网交换机 I/O 模块

PowerConnect M8024 交换机模块整合了两个可选的托架支持以下模块：

- 带有四个光学 SFP+ 连接器的 10 Gb 以太网模块
- 带有三个铜缆 CX4 上行链路的 10 Gb 以太网模块

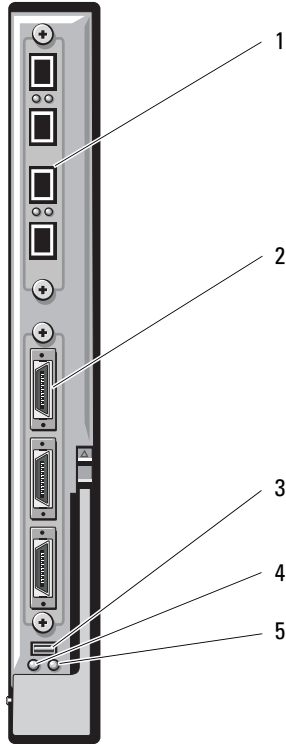
这些模块可任意组合使用，并且单独销售。

可以使用以下两种方法中的任一种初始配置交换机：

- 使用可选的 USB A 类外形尺寸串行电缆将外部管理系统连接至交换机，然后使用终端应用程序配置该交换机。
- 使用 iKVM CMC 控制台（“第 17 个刀片”）和 `connect switch-n` CMC CLI 命令。有关详情，请参阅 CMC user's guide（CMC 用户指南）。

一旦将 IP 地址分配给管理 VLAN 或接口并且交换机连接至管理网络后，Telnet 和 http 均通过该网络可用。

图 1-1. PowerConnect M8024 交换机模块

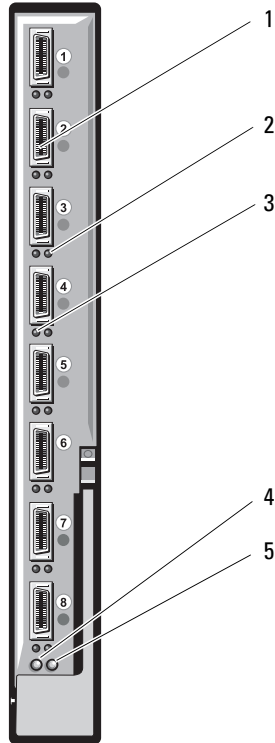


- | | | | |
|---|---------------------------|---|------------------|
| 1 | 带有四个 SFP+ 端口的可选模块 | 2 | 带有三个 CX4 端口的可选模块 |
| 3 | 用于可选的 USB A 类外型尺寸电缆的串行连接器 | 4 | 模块电源指示灯 |
| 5 | 状态 / 标识指示灯 | | |

Mellanox M2401G Infiniband 交换机 I/O 模块

Mellanox M2401G Infiniband 交换机 I/O 模块包括 24 个 4x DDR Infiniband 端口。其中 8 个是外部上行链路端口，另外 16 个内部端口可连接到机壳中的刀片。

图 1-2. Mellanox M2401G Infiniband 交换机模块



- | | | | |
|---|--------------------|---|----------------|
| 1 | Infiniband 端口（8 个） | 2 | 端口链路状态指示灯（8 个） |
| 3 | 端口活动指示灯（8 个） | 4 | 模块电源指示灯 |
| 5 | 状态 / 标识指示灯 | | |

表 1-5. Mellanox M2401G Infiniband 交换机指示灯

指示灯	显示方式	说明
链接指示灯	绿色，亮起	已建立物理链接
	绿色，不亮	没有建立物理链接
活动指示灯	琥珀色，亮起	已建立与 Infiniband 网络有效的逻辑链接
	琥珀色、正在闪烁	正在进行数据传输
	琥珀色，不亮	没有建立与 Infiniband 网络的逻辑链接

Brocade M5424 FC8 I/O 模块

Brocade M5424 I/O 模块包括八个外部自动感应的光纤信道端口（标准配置中启用四个端口，而另四个端口可作为可选的升级端口来启用）、16 个内部端口以及一个使用 RJ-45 连接器的串行端口。外部光纤信道端口以 8 Gb/ 秒、4 Gb/ 秒或 2 Gb/ 秒的速度运转。

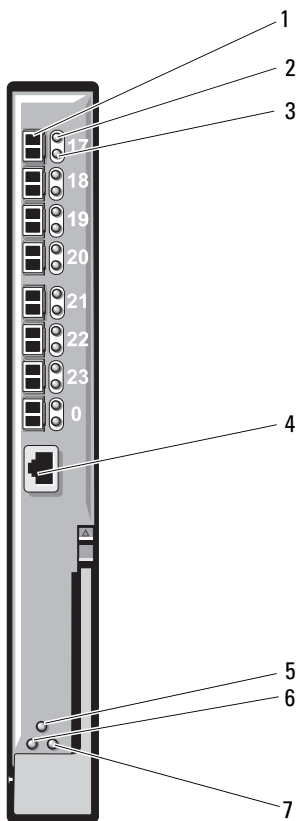


注：需要 CMC 固件版本 1.3 才能支持 FC8 夹层卡和 I/O 模块。



注：此光纤信道交换机模块包含短波小型可插拔 (SFP) 光学收发器。为了确保正常工作，请仅使用此模块附带的 SFP。

图 1-3. Brocade M5424 FC8 I/O 模块



- | | | | |
|---|-----------------|---|-----------------|
| 1 | 光纤信道端口（8个） | 2 | 光纤信道端口状态指示灯（8个） |
| 3 | 光纤信道端口速度指示灯（8个） | 4 | 串行端口（RJ-45 连接器） |
| 5 | 状态指示灯 | 6 | 模块电源指示灯 |
| 7 | 状态 / 标识指示灯 | | |

表 1-6. Brocade M5424 FC8 I/O 模块

指示灯类型	显示方式	说明
光纤信道端口 状态指示灯	不亮	无信号载体
	琥珀色亮起	信号出现但未联机
	绿色亮起	联机，但无活动
	绿色缓慢闪烁	联机但已分段
	绿色快速闪烁	内部环回
	绿色闪烁	端口上有 I/O 活动
	琥珀色缓慢闪烁 琥珀色快速闪烁	端口已禁用 端口错误或故障
光纤信道端口 速度指示灯	不亮	2 Gb 链接已建立
	绿色亮起	4 Gb 链接已建立
	琥珀色亮起	8 Gb 链接已建立
模块状态 指示灯	不亮	模块关闭或机壳电源关闭。
	绿色亮起	所有端口均已准备就绪。
	琥珀色亮起	模块正在引导重设，或端口脱机。
	绿色 / 琥珀色闪烁	错误日志中的诊断消息，或超出环境范围。
模块电源 指示灯	不亮	模块电源关闭。
	绿色	模块已通电。
状态 / 标识指 示灯	蓝色亮起	堆栈中的主要模块（如果可用）
	蓝色熄灭	堆栈中的备用模块
	琥珀色闪烁	模块出现故障

硬盘驱动器安装上的更新

- PowerEdge M805 和 M905 刀片支持一个或两个 2.5 英寸 SAS 硬盘驱动器。
- PowerEdge M710 刀片支持一到四个 2.5 英寸 SAS 硬盘驱动器。
- PowerEdge M610、M600 和 M605 刀片支持一个或两个 2.5 英寸 SATA 硬盘驱动器、一个或两个 2.5 英寸 SAS 硬盘驱动器或者一个或两个固态硬盘 (SSD) 硬盘驱动器。



注：不能在刀片内混合使用 SAS 和 SATA 硬盘驱动器。



注：如果安装了可选的 RAID 控制器卡，则支持热插拔操作。



注：SATA 硬盘驱动器不可与 SATA 中继器子卡进行热交换。



小心：为了确保冷却刀片所需的良好通风，每个硬盘驱动器托架必须包含活动硬盘驱动器或驱动器挡片。

硬盘驱动器安装原则

- 如果安装了 RAID 控制器存储卡，则刀片支持卸下和安装热插拔驱动器。
- 如果安装的硬盘驱动器少于最大数目，则必须安装硬盘驱动器挡板以保持良好的冷却通风。

安装硬盘驱动器



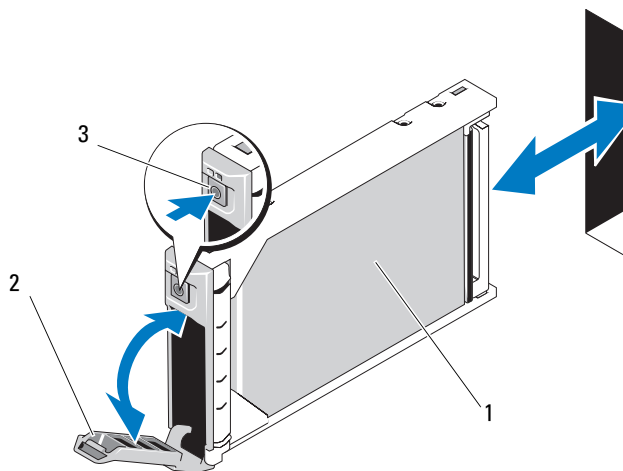
注：当安装更换的可热交换硬盘驱动器并接通刀片电源后，硬盘驱动器将自动开始重建。确保更换的硬盘驱动器为空白或包含要覆盖的数据。安装硬盘驱动器后，更换的硬盘驱动器上的任何数据均将立即丢失。



注：并非所有操作系统都支持热插拔驱动器的安装。请参阅操作系统附带的说明文件。

1 打开硬盘驱动器托盘手柄。请参阅图 1-4。

图 1-4. 安装硬盘驱动器



- | | | | |
|---|-------|---|------|
| 1 | 硬盘驱动器 | 2 | 托盘手柄 |
| 3 | 释放按钮 | | |

- 2 将硬盘驱动器托盘插入到驱动器托架中。小心地将硬盘驱动器托盘上的通道与刀片上相应的驱动器插槽对齐。
- 3 将驱动器托盘推入到插槽中，直至手柄触及刀片。
- 4 将托盘推入到插槽时，将托盘手柄转动至闭合位置，直至其锁定到位。

如果正确安装了驱动器，则 LED 状态指示灯会呈绿色稳定亮起。重建驱动器时，驱动器托盘 LED 绿色指示灯将闪烁。若驱动器托盘 LED 未亮，请参阅《硬件用户手册》中的“SAS 和 SATA 驱动器故障排除”。

卸下硬盘驱动器



注：并非所有操作系统都支持热插拔驱动器的安装。请参阅操作系统附带的说明文件。

- 1 使硬盘驱动器脱机并等待，直至驱动器托盘信号中的硬盘驱动器指示灯代码表示可以安全卸下该驱动器。

当所有指示灯均不亮时，便可以卸下驱动器。

有关使硬盘驱动器脱机的详情，请参阅操作系统说明文件。

- 2 打开硬盘驱动器托盘手柄以松开驱动器。请参阅图 1-4。
- 3 向外滑动硬盘驱动器，直至其脱离驱动器托架。

如果要永久拆除硬盘驱动器，请安装挡板插件。

维修硬盘驱动器的关机程序



注：本节仅适用于必须关闭刀片电源才能维修硬盘驱动器的情况。在许多情况下，可以在刀片通电时维修硬盘驱动器。

如果需要关闭刀片电源来维修硬盘驱动器，请在刀片的电源指示灯熄灭后等待 30 秒，然后卸下硬盘驱动器。否则，硬盘驱动器重新安装并再次接通刀片电源后，硬盘驱动器可能无法识别。

配置引导驱动器

系统从哪个驱动器或设备进行引导取决于在系统设置程序中指定的引导顺序。请参阅《硬件用户手册》中的“使用系统设置程序和 UEFI 引导管理器”。

从硬盘驱动器托盘卸下硬盘驱动器



小心：处理带有静电敏感组件的设备时，应始终佩戴接地腕带。

如果更换托盘中的驱动器，请从硬盘驱动器托盘上的滑轨卸下四个螺钉并将硬盘驱动器与托盘分离。请参阅图 1-5。

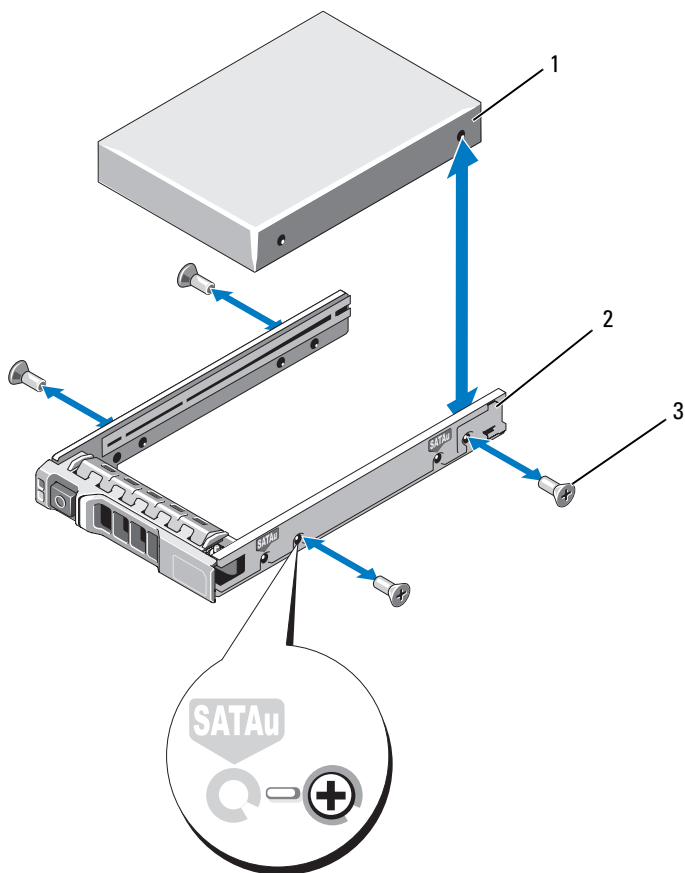
在驱动器托盘中安装硬盘驱动器

- 1 将硬盘驱动器插入到硬盘驱动器托盘中，使驱动器控制器板的连接器端位于托盘后部。请参阅图 1-5。
- 2 从托盘的后部将驱动器滑入托盘，直至其触及托盘前端的停止卡舌。
- 3 将硬盘驱动器上的螺孔与硬盘驱动器托盘上的孔对齐。对于 SATA 驱动器，将驱动器固定孔与标记为 SATA 的托盘固定孔对齐。请参阅图 1-5。
- 4 装上四颗螺钉以将硬盘驱动器固定到硬盘驱动器托盘中。



小心：为避免损坏托盘或驱动器，请不要过度拧紧螺钉。

图 1-5. 在驱动器托盘中卸下和安装硬盘驱动器



1 硬盘驱动器

2 驱动器托盘

3 螺钉（4 颗）

Systèmes Dell™
PowerEdge™ M905, M805,
M710, M610, M605 et M600

Mise à jour des informations



Remarques et précautions



REMARQUE : Une REMARQUE indique des informations importantes qui peuvent vous aider à mieux utiliser votre ordinateur.



PRÉCAUTION : Une PRÉCAUTION indique un risque de dommage matériel ou de perte de données en cas de non-respect des instructions.

**Les informations contenues dans ce document sont sujettes à modification sans préavis.
© 2008–2009 Dell Inc. Tous droits réservés.**

La reproduction de ce document, de quelque manière que ce soit, sans l'autorisation écrite de Dell Inc. est strictement interdite.

Marques mentionnées dans ce document : *Dell*, le logo *DELL*, *PowerEdge*, *PowerConnect* et *OpenManage* sont des marques de Dell Inc.; *Microsoft*, *Windows* et *Windows Server* sont des marques ou des marques déposées de Microsoft Corporation aux États-Unis et/ou dans d'autres pays.

D'autres marques commerciales et noms de marque peuvent être utilisés dans ce document pour faire référence aux entités se réclamant de ces marques et de ces noms ou de leurs produits. Dell Inc. dénie tout intérêt propriétaire vis-à-vis des marques commerciales et des noms de marque autres que les siens.

Mises à jour Microsoft®

Les problèmes suivants sont documentés sur le site Web d'aide et de support de Microsoft à l'adresse suivante : support.microsoft.com:

- Les systèmes fonctionnant sous Microsoft® Windows Server® 2003 ou Windows Server 2008 ne peuvent pas passer en mode veille s'ils sont dotés de plus de 4 Go de mémoire. Pour plus d'informations, consultez l'article de la Base de connaissances concernant ce problème à l'adresse suivante : support.microsoft.com/kb/888575.
- Les systèmes fonctionnant sous Windows Server 2008 ne prennent pas en charge l'amorçage iSCSI si une carte SD est installée dans leur module SD interne. En outre, l'amorçage iSCSI ne fonctionne pas lorsqu'un périphérique de stockage USB est inséré dans un port du système. Il s'agit d'un problème connu par Microsoft. Pour plus d'informations, consultez l'article de la Base de connaissances concernant ce problème à l'adresse suivante : support.microsoft.com/kb/968410.

Informations sur le progiciel de mise à jour Dell

Au cours du processus d'installation du progiciel de mise à jour Dell (DUP), il est possible que des messages concernant ce qui suit apparaissent :



REMARQUE : Ces messages apparaissent uniquement à titre d'indicatif.

- Détection de matériel dans Windows
- Problème de configuration du matériel dans Windows
- Ré-énumération des lettres relatives au support VFlash et aux lecteurs dans Windows



PRÉCAUTION : Il est conseillé d'éviter l'exécution d'opérations de lecture au cours de l'installation du progiciel de mise à jour sur VFlash.

- Demande de redémarrage du système après fermeture de l'interface du pilote Unified Server Configurator ou du référentiel de diagnostics



REMARQUE : Redémarrez le système uniquement après l'affichage complet du message.

Options de la gestion de l'alimentation de la mémoire et des performances

Les options de gestion de l'alimentation de la mémoire et des performances de l'écran **Power Management** (Gestion de l'alimentation) sont **Maximum Performance** (Performances maximales), une valeur spécifiée ou *Minimum Power* (Alimentation minimale).

Mémoire système - PowerEdge M710

Le tableau suivant est une annexe du tableau 3-5 du document *Hardware Owner's Manual* (Manuel du propriétaire). Il présente des exemples de configurations mémoire du PowerEdge M710.

Total Caractéristiques physiques Mémoire	Barrettes de mémoire – Nombre et type	Barrette de mémoire Emplacement	Processeurs	Mode Mémoire	Mémoire Disponible
24 Go	12 RDIMM de 2 Go	A2, A3, A5, A6, A8, A9, B2, B3, B5, B6, B8, B9	Deux	Fonctions ECC avancées	24 Go

Mise à jour des caractéristiques système

Mémoire — Dell™ PowerEdge™ M905 et Dell PowerEdge M805

Architecture	Barrettes de mémoire DDR2, cadencées un fonctionnement à 800 MHz
--------------	--

Ensembles PowerEdge — Adressage des ports du module d'E/S (cartes mezzanines à quatre ports)

Le tableau ci-dessous illustre l'adressage des ports du module d'E/S d'un ensemble mi-hauteur doté d'une carte mezzanine à quatre ports. Dans ce tableau, la lettre *n* représente une valeur variable comprise entre 1 et 16.

 **REMARQUE :** Pour l'adressage détaillé de chaque système PowerEdge, voir le document *Quadport Capable Hardware For the M1000e Modular Chassis* sur le site Web suivant : support.dell.com/manuals.

Tableau 1-1. Affectations des ports du module d'E/S - Ensembles mi-hauteur

Ensemble <i>n</i>	Module d'E/S					
	A1	B1	C1	C2	B2	A2
Carte LOM1 intégrée	Port <i>n</i>					
Carte LOM2 intégrée						Port <i>n</i>
Mezz_FAB_B_Blade <i>n</i> _Port1			Port <i>n</i>			
Mezz_FAB_B_Blade <i>n</i> _Port2					Port <i>n</i>	
Mezz_FAB_B_Blade <i>n</i> _Port3			Port (<i>n</i> +16)			
Mezz_FAB_B_Blade <i>n</i> _Port4					Port (<i>n</i> +16)	
Mezz_FAB_C_Blade <i>n</i> _Port1			Port <i>n</i>			
Mezz_FAB_C_Blade <i>n</i> _Port2				Port <i>n</i>		
Mezz_FAB_C_Blade <i>n</i> _Port3			Port (<i>n</i> +16)			
Mezz_FAB_C_Blade <i>n</i> _Port4				Port (<i>n</i> +16)		

Le tableau ci-dessous illustre l'adressage des ports du module d'E/S des ensembles pleine hauteur dotés de cartes mezzanines à quatre ports. Les notations suivantes sont utilisées dans ce tableau :

- n représente une valeur variable comprise entre 1 et 8
- LOM1 et LOM2 sont les ports LOM de l'ensemble n , et LOM3 et LOM4 les ports LOM de l'ensemble $(n+8)$

 **REMARQUE :** Pour l'adressage détaillé de chaque système PowerEdge, voir le document *Quadport Capable Hardware For the M1000e Modular Chassis* sur le site Web suivant : support.dell.com/manuals.

Tableau 1-2. Affectations des ports du module d'E/S - Ensembles pleine hauteur

Ensemble n et ensemble $(n+8)$	Module d'E/S					
	A1	B1	C1	C2	B2	A2
Carte LOM1 intégrée	Port n					
Carte LOM2 intégrée						Port n
Carte LOM3 intégrée	Port $(n+8)$					
Carte LOM4 intégrée						Port $(n+8)$
Mezz_FAB_B_Blade n _Port1		Port n				
Mezz_FAB_B_Blade n _Port2					Port n	
Mezz_FAB_B_Blade n _Port3		Port $(n+16)$				
Mezz_FAB_B_Blade n _Port4					Port $(n+16)$	
Mezz_FAB_C_Blade n _Port1			Port n			
Mezz_FAB_C_Blade n _Port2				Port n		
Mezz_FAB_C_Blade n _Port3			Port $(n+16)$			
Mezz_FAB_C_Blade n _Port4				Port $(n+16)$		

Tableau 1-2. Affectations des ports du module d'E/S - Ensembles pleine hauteur (suite)

Ensemble n et ensemble $(n+8)$	Module d'E/S					
	A1	B1	C1	C2	B2	A2
Mezz_FAB_B_Blade $n+8$ _Port1		Port ($n+8$)				
Mezz_FAB_B_Blade $n+8$ _Port2					Port ($n+8$)	
Mezz_FAB_B_Blade $n+8$ _Port3		Port ($n+24$)				
Mezz_FAB_B_Blade $n+8$ _Port4					Port ($n+24$)	
Mezz_FAB_C_Blade $n+8$ _Port1			Port ($n+8$)			
Mezz_FAB_C_Blade $n+8$ _Port2				Port ($n+8$)		
Mezz_FAB_C_Blade $n+8$ _Port3			Port ($n+24$)			
Mezz_FAB_C_Blade $n+8$ _Port4				Port ($n+24$)		

Ensembles PowerEdge — Tableau de compatibilité des cartes mezzanines à quatre ports

Le tableau ci-dessous indique la compatibilité des ensembles PowerEdge avec la carte mezzanine à quatre ports. Les notations suivantes sont utilisées dans ce tableau :

- X indique que les ports de carte mezzanine sont compatibles avec la structure IOM.
- L'absence d'une valeur indique que les ports de carte mezzanine ne sont pas pris en charge par la structure IOM.
- Les lettres N/A indiquent que la structure n'existe pas pour les ensembles mi-hauteur correspondants.

Tableau 1-3. Tableau de configuration d'une carte mezzanine à quatre ports

Ensemble PowerEdge	Structure B1		Structure C1		Structure B2		Structure C2	
	Ports 1 et 2	Ports 3 et 4	Ports 1 et 2	Ports 3 et 4	Ports 1 et 2	Ports 3 et 4	Ports 1 et 2	Ports 3 et 4
M710	X	X	X	X	X	X	X	
M905	X	X			X	X		
M805	X	X			X	X		
M605	X	X			N/A	N/A	N/A	N/A
M610	X	X	X	X	N/A	N/A	N/A	N/A
M600	X	X	X	X	N/A	N/A	N/A	N/A

Affectations des ports du module d'E/S des systèmes PowerEdge M905, M805 et serveurs lames M710 (cartes mezzanines à deux ports)

Les tableaux suivants corrigent les parties du tableau 1-12 de la section “À propos du système” du *Manuel du propriétaire*.

Tableau 1-4. Affectations des ports du module d'E/S - Serveurs lames pleine hauteur

Serveur lame 1	Module d'E/S					
	A1	B1	C1	C2	B2	A2
Carte LOM1 intégrée	Port 1					Port 1
Carte LOM2 intégrée	Port 9					Port 9
Carte Mezz1_circuit_C			Port 1	Port 1		
Carte Mezz2_circuit_B		Port 1			Port 1	
Carte Mezz3_circuit_C			Port 9	Port 9		
Carte Mezz4_circuit_B		Port 9			Port 9	

Serveur lame 4	Module d'E/S					
	A1	B1	C1	C2	B2	A2
Carte LOM1 intégrée	Port 4					Port 4
Carte LOM2 intégrée	Port 12					Port 12
Carte Mezz1_circuit_C			Port 4	Port 4		
Carte Mezz2_circuit_B		Port 4			Port 4	
Carte Mezz3_circuit_C			Port 12	Port 12		
Carte Mezz4_circuit_B		Port 12			Port 12	

Serveur lame 8	Module d'E/S					
	A1	B1	C1	C2	B2	A2
Carte LOM1 intégrée	Port 8					Port 8
Carte LOM2 intégrée	Port 16					Port 16
Carte Mezz1_circuit_C			Port 8	Port 8		
Carte Mezz2_circuit_B		Port 8			Port 8	
Carte Mezz3_circuit_C			Port 16	Port 16		
Carte Mezz4_circuit_B		Port 16			Port 16	

Serveur lame 6	Module d'E/S					
	A1	B1	C1	C2	B2	A2
Carte LOM1 intégrée	Port 6					Port 6
Carte LOM2 intégrée	Port 14					Port 14
Carte Mezz1_circuit_C			Port 6	Port 6		
Carte Mezz2_circuit_B		Port 6			Port 6	
Carte Mezz3_circuit_C			Port 14	Port 14		
Carte Mezz4_circuit_B		Port 14			Port 14	

Versions de Dell™ OpenManage™ requises pour les serveurs lames PowerEdge™

Les serveurs lames PowerEdge M905 et M805 requièrent le logiciel de gestion de systèmes OpenManage 5.4.3 ou version ultérieure.



REMARQUE : OpenManage version 5.4.3 ne prend pas en charge les serveurs lames PowerEdge M600 et M605.


Les serveurs lames PowerEdge M610 et M710 requièrent le logiciel de gestion de systèmes OpenManage 6.0.1 ou version ultérieure.



REMARQUE : OpenManage version 6.0.1 ne prend pas en charge les serveurs lames PowerEdge M600, M605, M805 et M905.

Micrologiciel CMC requis pour les serveurs lames PowerEdge

Les serveurs lames PowerEdge M905 et M805 requièrent le micrologiciel CMC 1.2 ou version ultérieure. Les serveurs lames PowerEdge M610 et M710 requièrent le micrologiciel CMC 3.0 ou version ultérieure. Si vous ajoutez ces serveurs lames à une baie M1000e exécutant une version plus ancienne du micrologiciel CMC, ils ne se mettront pas sous tension.

 **REMARQUE :** Pour des instructions complètes concernant la configuration et l'utilisation du module CMC, reportez-vous au document *Dell Chassis Management Controller User's Guide* (Contrôleur de gestion de la baie Dell - Guide d'utilisation) le plus récent disponible sur le site support.dell.com.

Mise à jour du micrologiciel CMC


Téléchargement du micrologiciel CMC


Avant de procéder à la mise à jour du micrologiciel, téléchargez-en la dernière version à partir du site support.dell.com et enregistrez-la sur le système local.

Le package du micrologiciel CMC se compose des éléments suivants :

- Code compilé et données du micrologiciel CMC
- Fichiers de données de l'interface Web, JPEG et des autres interfaces utilisateur
- Fichiers de configuration par défaut

Pour installer la dernière version du micrologiciel CMC, accédez à la page **Firmware Update** (Mise à jour du micrologiciel).

 **REMARQUE :** Pour des instructions complètes concernant la configuration et l'utilisation du module CMC, reportez-vous au document *Dell Chassis Management Controller User's Guide* (Contrôleur de gestion de la baie Dell - Guide d'utilisation) le plus récent disponible sur le site support.dell.com.


 **REMARQUE :** Par défaut, la mise à jour du micrologiciel ne modifie pas les paramètres courants du module CMC. Au cours de la mise à jour, vous pouvez réinitialiser les paramètres de configuration du module CMC afin de rétablir les valeurs par défaut définies en usine.

Mise à jour du micrologiciel dans une configuration composée de modules CMC redondants

△ PRÉCAUTION : Dans une configuration de modules CMC redondants, vous devez mettre à jour le micrologiciel CMC des deux modules. Sinon, le système risque de se comporter de façon imprévisible lors d'un basculement ou d'une restauration impliquant les modules CMC. Pour les déploiements de modules CMC redondants, procédez comme suit :

- 1 Identifiez le module CMC secondaire (de secours) à l'aide de la commande `RACADM getsysinfo` ou de la page **Chassis Summary** (Récapitulatif du châssis) de l'**interface Web**. Le voyant d'état du module CMC principal ou actif est bleu fixe, tandis que celui du module de secours ou d'attente est éteint.
- 2 Mettez d'abord le micrologiciel à jour sur le module CMC de secours. Voir les sections “Mise à jour du micrologiciel du module CMC via l'interface Web” ou “Mise à jour du micrologiciel du module CMC via RACADM”.
- 3 Vérifiez que le module de secours exécute la version du micrologiciel requise. Pour ce faire, vous pouvez utiliser la commande `getsysinfo` ou l'**interface Web**.
- 4 Après le redémarrage du module CMC secondaire, mettez le micrologiciel à jour sur le module CMC principal (actif). Patientez environ 10 minutes pour que le démarrage du module CMC de secours soit entièrement terminé.
Voir les sections “Mise à jour du micrologiciel du module CMC via l'interface Web” ou “Mise à jour du micrologiciel du module CMC via RACADM”.
- 5 Vérifiez que le module actif (principal) exécute la version du micrologiciel requise. Pour ce faire, vous pouvez utiliser la commande `getsysinfo` ou l'**interface Web**.
- 6 Une fois le micrologiciel des deux modules CMC à jour, utilisez la commande `cmchangeover` pour redéfinir le module CMC installé dans le logement de gauche en tant que module principal.

Mise à jour du micrologiciel du module CMC via l'interface Web

- 1 Ouvrez une session sur le module CMC par l'intermédiaire de l'interface Web. Reportez-vous à la section “Logging in to the CMC Using the Web-Based Interface” (Ouverture de session sur le module CMC à l'aide de l'interface Web) du document *Configuration Guide* (Guide de configuration) du M1000e.
 - 2 Cliquez sur **Chassis in the system tree** (Baies dans l'arborescence).
 - 3 Cliquez sur l'onglet **Update** (Mise à jour). La page **Updatable Components** (Composants actualisables) s'affiche.
 - 4 Dans cette page, cliquez sur le nom du module CMC. La page **Firmware Update** (Mise à jour du micrologiciel) s'affiche.
 - 5 Dans le champ **Value** (Valeur), tapez le chemin d'accès de la station de gestion ou du réseau partagé contenant le fichier image du micrologiciel ou cliquez sur **Browse** (Parcourir) pour accéder à l'emplacement approprié.
-  **REMARQUE :** Par défaut, le fichier contenant l'image du micrologiciel du module CMC se nomme **firmimg.cmc**. Ce nom ne doit pas être modifié. Placez les différentes révisions de micrologiciel dans des répertoires distincts étant donné que le nom du fichier sera toujours le même.
- 6 Cliquez sur **Update** (Mise à jour). Une boîte de dialogue vous demande de confirmer l'opération.
 - 7 Cliquez sur **Yes** (Oui) pour continuer. La procédure de transmission du micrologiciel démarre et le message “Firmware Update in Progress” (Mise à niveau du micrologiciel en cours) est affiché. À l'issue de la mise à jour du module CMC, celui-ci est automatiquement réinitialisé. À la fin de la réinitialisation, actualisez la page de l'**interface utilisateur**, puis rouvrez une session.

Mise à jour du micrologiciel du module CMC via RACADM

- 1 Ouvrez une console de ligne de commande sur le module CMC et ouvrez une session.
- 2 Tapez :

```
racadm fwupdate -g -u -a <adresse IP du serveur TFTP> -d <chemin du fichier> -m <cmc-active|cmc-standby>
```

Pour des instructions complètes concernant la configuration et l'utilisation du module CMC, reportez-vous au document *Dell Chassis Management Controller User's Guide* (Contrôleur de gestion de baie Dell - Guide d'utilisation) le plus récent disponible sur le site support.dell.com.

Configuration requise de la mémoire de réserve sur les serveurs lames PowerEdge M905 et M805

Les informations suivantes remplacent les sous-sections du *Hardware Owner's Manual* (Manuel du propriétaire) relatives à la mémoire de réserve sur les systèmes PowerEdge M905 et M805 ainsi qu'à leur étiquette d'information système.

PowerEdge M905

La mémoire de réserve est prise en charge si 24 barrettes de mémoire (DIMM) identiques sont installées.

PowerEdge M805

La mémoire de réserve est prise en charge si 16 barrettes de mémoire (DIMM) identiques sont installées.

Prise en charge de nouvelles cartes mezzanines

L'ensemble PowerEdge prend désormais en charge les cartes mezzanines suivantes :

- Intel® Gigabit ET (quatre ports). Pour le tableau de compatibilité, voir “Tableau de configuration d'une carte mezzanine à quatre ports”, page 58.
- Broadcom NetXExtreme II 5709 (carte Ethernet à quatre ports pour les ensembles de la série M). Pour le tableau de compatibilité, voir “Tableau de configuration d'une carte mezzanine à quatre ports”, page 58.
- Broadcom NetXtreme II 57711 (carte Ethernet 10 Gb à deux ports avec décentralisation TOE et iSCSI pour les ensembles de la série M)
- Broadcom 57710 (carte Ethernet 10 Gb)
- Carte Emulex LPe1205-M pour réseau FC8
- ConnectX MDI QDR



REMARQUE : Les cartes mezzanines et les modules E/S pour réseau FC8 ne sont pris en charge qu'avec la version 1.3 du micrologiciel CMC.



REMARQUE : Le micrologiciel CMC version 2.0 est nécessaire pour prendre en charge la configuration des liaisons des cartes mezzanines.

Pour plus d'informations sur l'installation d'une carte mezzanine, reportez-vous à la section “Installing System Components” (Installation des composants du système) du document *Hardware Owner's Manual* (Manuel du propriétaire). Pour obtenir des informations détaillées sur la configuration d'une carte particulière, reportez-vous à la documentation de la carte sur le site support.dell.com.

Prise en charge de nouveaux modules d'E/S

Le système prend désormais en charge les modules d'E/S suivants :

- Module commutateur Ethernet 10 Gb Dell PowerConnect™ M8024
- Module commutateur Infiniband DDR Mellanox M2401G
- Module Brocade M5424 pour réseau FC8
- Module commutateur Infiniband QDR Mellanox M3601Q



REMARQUE : Les cartes mezzanines et les modules d'E/S pour réseau FC8 sont uniquement pris en charge avec la version 1.3 du micrologiciel du module CMC.

Ces modules sont échangeables à chaud. Vous pouvez les installer dans la structure B ou C. Notez les informations supplémentaires suivantes :

- Le module commutateur Ethernet M8024 peut également être installé dans la structure A, mais il fonctionnera uniquement à 1 Gb.
- Du fait de la double largeur du commutateur M3601Q QDR et des contraintes physiques du système M1000e, ce module commutateur couvre les structures B et C du banc de mémoire du module d'E/S lorsqu'il est installé.
- Pour des informations générales sur l'installation des modules d'E/S, voir la section “Modules d'E/S” du *Manuel du propriétaire*.

Module commutateur d'E/S Ethernet PowerConnect M8024 10 Gb

Ce module commutateur comporte deux baies optionnelles qui peuvent accueillir les modules suivants :

- Un module Ethernet 10 Gb équipé de quatre connecteurs SFP+ optiques
- Un module Ethernet 10 Gb équipé de trois liaisons sortantes cuivre (CX4)

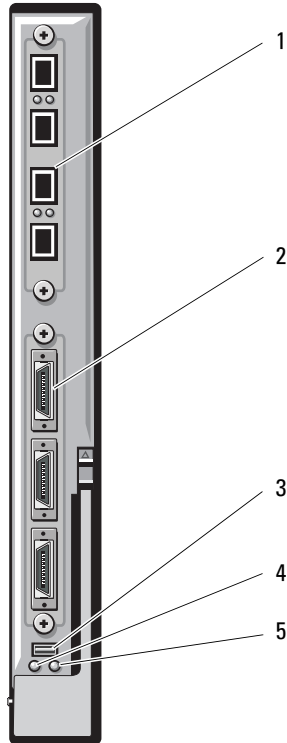
Ces modules sont vendus séparément et vous pouvez les utiliser dans n'importe quelle combinaison.

Vous pouvez effectuer la configuration initiale du commutateur en procédant de l'une des manières suivantes :

- En connectant un système de gestion externe à l'aide d'un câble série USB de type A en option, puis en configurant le commutateur à l'aide d'une application de terminal.
- En utilisant la console iKVM du module CMC (“17ème lame”) et la commande CLI `connect switch-n` du module CMC. Pour plus d'informations, reportez-vous au guide de l'utilisateur du module CMC.

Une fois qu'une adresse IP est affectée au réseau VLAN de gestion ou que l'interface et le commutateur sont connectés à un réseau de gestion, les protocoles Telnet et http sont disponibles via le réseau.

Figure 1-1. Module commutateur PowerConnect M8024

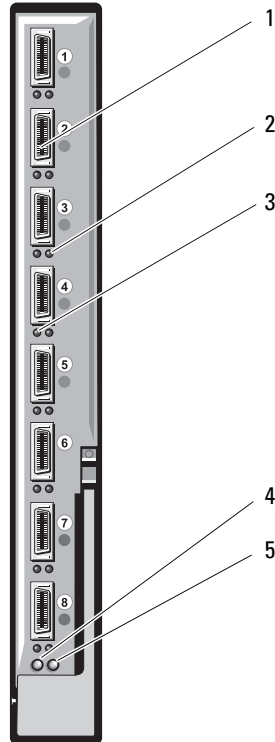


- | | | | |
|---|---|---|---|
| 1 | Module en option équipé de quatre ports SFP+ | 2 | Module en option équipé de quatre ports CX4 |
| 3 | Connecteur série destiné au câble USB de type A | 4 | Voyant d'alimentation du module |
| 5 | Voyant d'état/d'identification | | |

Module commutateur d'E/S Mellanox Infiniband M2401G

Ce module est équipé de 24 ports 4x DDR Infiniband, soit huit ports sortants externes et 16 ports internes assurant les connexions aux serveurs lames présents dans le châssis.

Figure 1-2. Module commutateur Mellanox M2401G



- | | | | |
|---|---------------------------------|---|---|
| 1 | Port Infiniband (8) | 2 | Voyant d'état de la liaison du port (8) |
| 3 | Voyant d'activité des ports (8) | 4 | Voyant d'alimentation du module |
| 5 | Voyant d'état/d'identification | | |

Tableau 1-5. Voyants du module commutateur Mellanox M2401G

Voyant	Code	Description
Voyant de liaison	Vert fixe	Liaison physique établie
	Vert, éteint	Pas de liaison physique
Voyant d'activité	Orange fixe	Liaison logique valide vers réseau Infiniband établie
	Orange, clignotant	Transfert des données en cours
	Orange, éteint	Pas de liaison logique vers le réseau Infiniband

Module d'E/S Brocade M5424 pour réseau FC8

Ce module comprend huit ports Fibre Channel externes à détection automatique. Quatre ports sont activés dans la configuration standard ; il est possible d'effectuer une mise à niveau pour activer quatre ports supplémentaires. Ce module comprend également 16 ports internes et un port série avec connecteur RJ-45. Les ports Fibre Channel fonctionnent à 8 Gb/s, 4 Gb/s ou 2 Gb/s.

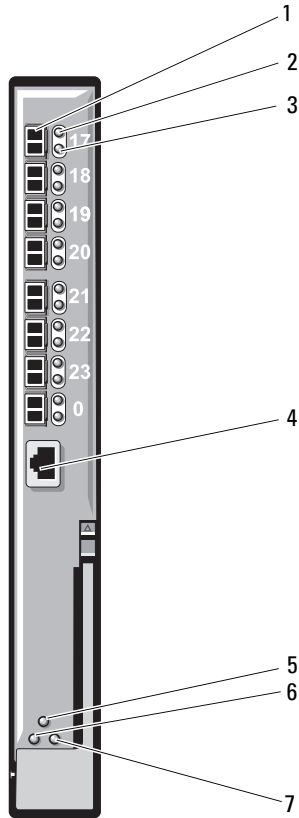


REMARQUE : Les cartes mezzanines et les modules E/S pour réseau FC8 ne sont pris en charge qu'avec la version 1.3 du micrologiciel CMC.



REMARQUE : Ce module commutateur Fibre Channel comprend des émetteurs-récepteurs optiques SFP (Short Wave Small Form Factor Pluggable, composant enfichable compact à ondes courtes). Pour qu'il fonctionne correctement, utilisez uniquement les composants SFP fournis avec ce dernier.

Figure 1-3. Module d'E/S Brocade M5424 pour réseau FC8



- | | | | |
|---|---|---|---|
| 1 | Port Fibre Channel (8) | 2 | Voyant d'état des ports Fibre Channel (8) |
| 3 | Voyant d'état des ports Fibre Channel (8) | 4 | Port série (connecteur RJ-45) |
| 5 | Voyant d'état | 6 | Voyant d'alimentation du module |
| 7 | Voyant d'état/d'identification | | |

Tableau 1-6. Module d'E/S Brocade M5424 pour réseau FC8

Type de voyant	Code	Description
Voyant d'état du port Fibre Channel	Éteint	Aucun signal
	Orange fixe	Signal présent, mais pas en ligne
	Vert fixe	En ligne, mais inactif
	Vert, clignotement lent	En ligne, mais connexion fragmentée
	Vert, clignotement rapide	Boucle de rappel interne
	Vert scintillant	E/S en cours sur le port
	Orange clignotant rapidement	Port désactivé
	Orange, clignotement rapide	Erreur ou panne du port
Voyant de débit du port Fibre Channel	Éteint	Liaison à 2 Gb établie
	Vert fixe	Liaison à 4 Gb établie
	Orange fixe	Liaison à 8 Gb établie


Tableau 1-6. Module d'E/S Brocade M5424 pour réseau FC8 (suite)


Type de voyant	Code	Description
Voyant d'état du module	Éteint	Module éteint ou châssis hors tension
	Vert fixe	Tous les ports sont prêts
	Orange fixe	Le module est en cours de démarrage ou de réinitialisation, ou bien tous les ports sont hors ligne
	Vert/orange clignotant	Message de diagnostic dans le journal des erreurs ou conditions environnementales non conformes aux limites acceptables
Voyant d'alimentation du module	Éteint	Module hors tension
	Vert	Module sous tension
Voyant d'état/d'identification	Bleu fixe	Le module principal est membre d'une pile, le cas échéant
	Bleu éteint	Le module secondaire est membre d'une pile
	Orange clignotant	Panne détectée sur le module


Mises à jour relatives à l'installation du disque dur


- Les ensembles PowerEdge M805 et M905 prennent en charge un ou deux disques durs SAS de 2,5 pouces.
- L'ensemble PowerEdge M710 prend en charge un à quatre disques durs SAS de 2,5 pouces.

- Les ensembles de PowerEdge M610, M600 et M605 prennent en charge un ou deux disques durs SATA de 2,5 pouces, un ou deux disques durs SAS de 2,5 pouces ou un ou deux disques durs SSD.

 **REMARQUE** : Un ensemble ne peut pas contenir à la fois des disques durs de type SAS et SATA.

 **REMARQUE** : L'ajout ou le retrait à chaud des disques est pris en charge si une carte contrôleur RAID en option est installée.


 **REMARQUE** : Il n'est pas possible d'enficher à chaud des disques durs SATA avec la carte fille SATA sur port répéteur.


 **PRÉCAUTION** : Pour une bonne ventilation et un bon refroidissement de l'ensemble, chaque baie de disque dur doit contenir un disque dur actif ou un cache de lecteur.

Consignes d'installation des disques durs

- Si un contrôleur de stockage RAID est installé, l'ensemble prend en charge l'installation et le retrait à chaud de lecteurs.
- Si le nombre de disques durs installés est inférieur au nombre maximal, il faut installer des caches de disques durs afin de maintenir des conditions de ventilation adéquates du système.

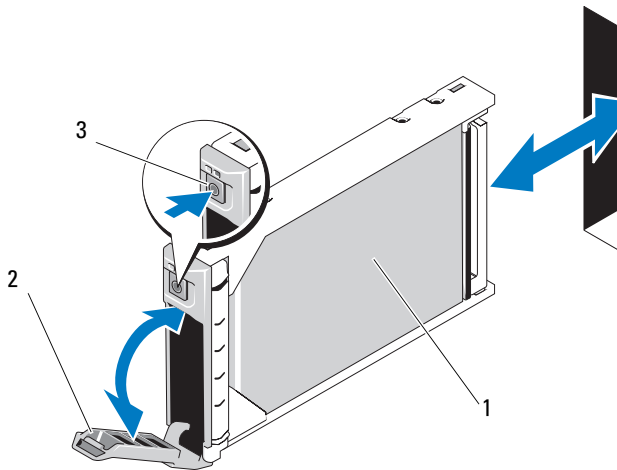
Installation d'un disque dur

 **REMARQUE** : Lorsqu'un disque dur échangeable à chaud est installé en remplacement d'un autre dans un ensemble sous tension, sa reconstruction commence automatiquement. Vérifiez que le disque de remplacement est vierge ou qu'il contient des données que vous voulez écraser. Toutes les données présentes sur le disque dur de remplacement seront irrémédiablement perdues après l'installation de ce dernier.

 **REMARQUE** : L'installation de disques durs enfichables à chaud n'est pas prise en charge par tous les systèmes d'exploitation. Voir la documentation fournie avec votre système d'exploitation.

- 1 Ouvrez la poignée du support de disque dur. Voir la figure 1-4.

Figure 1-4. Installation d'un disque dur



- | | | | |
|---|-------------------|---|--------------------|
| 1 | disque dur | 2 | poignée du support |
| 3 | bouton d'éjection | | |

- 2 Insérez le disque dur dans la baie de lecteur. Alignez avec précision le canal du support de disque de dur sur le logement de lecteur adéquat de l'ensemble.
- 3 Introduisez le support dans le logement jusqu'à ce que sa poignée touche l'ensemble.
- 4 Verrouillez la poignée en la tournant, tout en insérant le support dans le logement jusqu'à ce qu'il s'enclenche.

Le voyant d'état devient vert fixe lorsque le lecteur est correctement installé. Le voyant vert du support de lecteur clignote pendant la reconstruction du lecteur. Si ce voyant ne s'allume pas, voir la section "Dépannage des lecteurs SAS et SATA" du *Manuel du propriétaire*.

Retrait d'un disque dur



REMARQUE : L'installation de lecteur d'enfichage à chaud n'est pas prise en charge par tous les systèmes d'exploitation. Voir la documentation fournie avec votre système d'exploitation.

- 1 Mettez le disque dur hors ligne et attendez que les voyants du support indiquent qu'il peut être retiré en toute sécurité.

Lorsque tous les voyants sont éteints, vous pouvez retirer le lecteur.

Pour plus d'informations sur la mise hors ligne d'un disque dur, voir la documentation de votre système d'exploitation.

- 2 Ouvrez la poignée du support pour débloquer le disque. Voir la figure 1-4.
- 3 Extrayez le disque dur en le faisant glisser hors de la baie.

Si vous retirez le disque dur définitivement, installez un cache dans le logement vacant.

Procédure d'arrêt pour le dépannage d'un disque dur



REMARQUE : Cette section concerne uniquement les situations dans lesquelles l'ensemble doit être mis hors tension pour dépanner un disque dur. La plupart du temps, la maintenance des disques durs peut être effectuée lorsque l'ensemble est sous tension.

Si vous devez mettre l'ensemble hors tension pour dépanner un disque dur, attendez 30 secondes après l'extinction du voyant d'alimentation de l'ensemble avant de retirer le disque. Sinon, le disque réinstallé risque de ne pas être reconnu à la mise sous tension de l'ensemble.

Configuration du lecteur d'amorçage

Le lecteur ou le périphérique utilisé par le système pour démarrer est indiqué par la séquence d'amorçage spécifiée dans le programme de configuration du système. Voir la section “Utilisation du programme de configuration du système et d'UEFI Boot Manager” du *Manuel du propriétaire*.

Retrait d'un disque dur installé dans un support

 **PRÉCAUTION** : Portez toujours un bracelet anti-statique lorsque vous manipulez un appareil comprenant des composants sensibles à l'électricité statique.

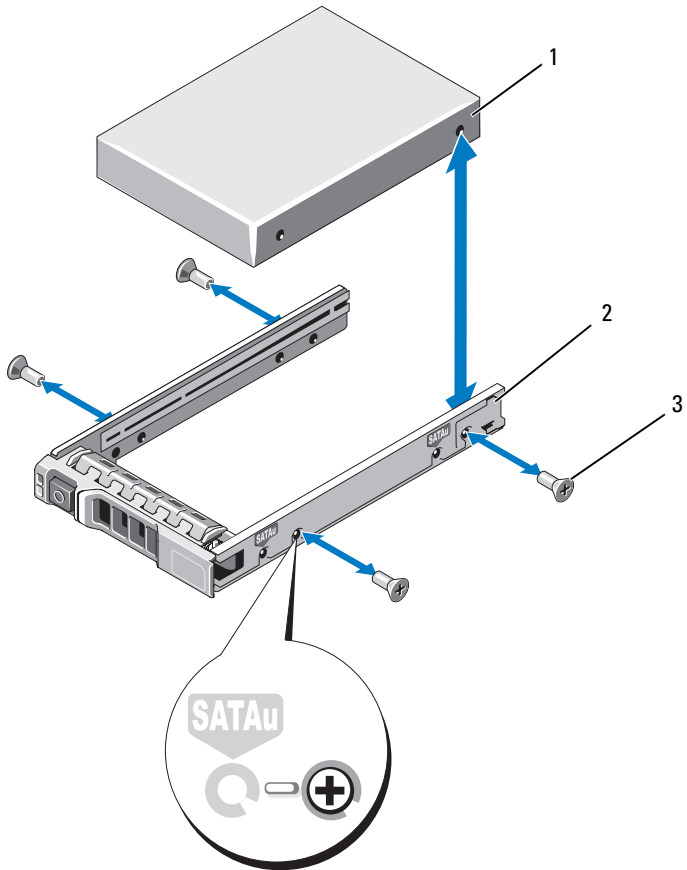
Pour remplacer le lecteur présent dans le support, retirez les quatre vis des guides du support, puis détachez le disque dur du support. Voir la figure 1-5.

Installation d'un disque dur dans un support

- 1 Insérez le disque dur dans le support, connecteur de carte du contrôleur vers l'arrière. Voir la figure 1-5.
- 2 Faites glisser le disque de l'arrière du support vers l'avant jusqu'à ce qu'il touche la butée.
- 3 Alignez les trous de vis du disque dur avec ceux du support. Pour les lecteurs SATA, alignez les trous de montage du lecteur sur ceux du support marqués SATA. Voir à la figure 1-5.
- 4 Fixez le disque dur sur le support à l'aide des quatre vis.

 **PRÉCAUTION** : Pour éviter d'endommager le lecteur ou le support, ne serrez pas les vis trop fort.

Figure 1-5. Retrait et installation d'un disque dur



1 disque dur
3 vis (4)

2 support de lecteur

Dell™ PowerEdge™-Systeme
M905, M805, M710, M610,
M605 und M600

Informationsaktualisierung



Anmerkungen und Vorsichtshinweise



ANMERKUNG: Eine ANMERKUNG macht auf wichtige Informationen aufmerksam, mit denen Sie das System besser einsetzen können.



VORSICHTSHINWEIS: Durch VORSICHTSHINWEISE werden Sie auf potenzielle Gefahrenquellen hingewiesen, die Hardwareschäden oder Datenverlust zur Folge haben könnten, wenn die Anweisungen nicht befolgt werden.

Irrtümer und technische Änderungen vorbehalten.

© 2008–2009 Dell Inc. Alle Rechte vorbehalten.

Die Vervielfältigung oder Wiedergabe dieser Materialien in jeglicher Weise ohne vorherige schriftliche Genehmigung von Dell Inc. sind strengstens untersagt.

In diesem Text verwendete Marken: *Dell* und das *DELL* Logo, *PowerEdge*, *PowerConnect* und *OpenManage* sind Marken von Dell Inc.; *Microsoft*, *Windows* und *Windows Server* sind Marken oder eingetragene Marken von Microsoft Corporation in den USA und/oder anderen Ländern.

Alle anderen in dieser Dokumentation genannten Marken und Handelsbezeichnungen sind Eigentum der entsprechenden Hersteller und Firmen. Dell Inc. erhebt keinen Anspruch auf Markenzeichen und Handelsbezeichnungen mit Ausnahme der eigenen.

Microsoft®-Updates

Die folgenden Probleme sind auf der Hilfe- und Support-Website von Microsoft unter support.microsoft.com dokumentiert:

- Systeme mit Microsoft® Windows Server® 2003 oder Windows Server 2008 lassen sich nicht in den Ruhezustand versetzen (Hibernation), wenn mehr als 4 GB Speicher installiert sind. Weitere Informationen enthält der Knowledge-Base-Artikel unter support.microsoft.com/kb/888575.
- Systeme mit Windows Server 2008 unterstützen keinen iSCSI-Startvorgang, wenn im internen SD-Modul eine SD-Karte installiert ist. Außerdem funktioniert iSCSI nicht, wenn ein externes USB-Speichergerät am System angeschlossen ist. Dies ist ein bekanntes Problem von Microsoft. Weitere Informationen enthält der Knowledge-Base-Artikel unter support.microsoft.com/kb/968410.

Hinweise zum Dell Update Package

Bei der Installation des Dell Update Package (DUP) werden möglicherweise folgende Meldungen angezeigt:



ANMERKUNG: Diese Meldungen dienen nur zur Information.

- Windows-Hardwareerkennung
- Problem mit der Windows-Hardwarekonfiguration
- Neuauflistung von VFlash und vorübergehende Laufwerk-buchstabenänderungen in Windows



VORSICHTSHINWEIS: Es wird empfohlen, keine Schreibvorgänge während der DUP-Installation auf VFlash zuzulassen (oder durchzuführen).

- Nach dem Schließen der Schnittstelle zum Unified Server Configurator-Treiber oder des Diagnosearchivs wird zum Systemneustart aufgefordert



ANMERKUNG: Starten Sie das System erst neu, nachdem die gesamte Nachricht angezeigt wurde.

Optionen für Speicherleistung und Performance-management

Im Fenster Power Management (Energieverwaltung) kann zwischen folgenden Optionen für Speicherleistung und Performancemanagement gewählt werden: **Maximum Performance** (Maximale Leistung), eine festgelegte Frequenz oder *Minimum Power* (Minimale Leistung).

Systemspeicher – PowerEdge M710

Die nachstehende Tabelle ist eine Ergänzung zu Tabelle 3-5 „Beispiele für Speicherkonfigurationen beim PowerEdge M710“ im *Hardware-Benutzerhandbuch*.

Gesamt Abmessungen und Gewicht Speicher	Speicher-module – Anzahl und Typ	Speicher-modul Speicherort	Prozessoren	Speicher Modus	Verfügbar Speicher
24 GB	12 RDIMMs mit je 2 GB	A2, A3, A5, A6, A8, A9, B2, B3, B5, B6, B8, B9	Zwei	Advanced ECC	24 GB

Aktualisierung der Systemdaten

Speicher – Dell™ PowerEdge™ M905 und Dell PowerEdge M805

Architektur	DDR2-Speichermodule, ausgelegt für den Betrieb mit 800 MHz
-------------	--

PowerEdge-Blademodule – Port-Zuordnungen der E/A-Module (Vier-Port-Zusatzkarten)

Die folgende Tabelle zeigt die Port-Zuordnungen der E/A-Module für ein Blademodul halber Bauhöhe mit Vier-Port-Zusatzkarte. In der nachstehenden Tabelle steht n für einen variablen Wert zwischen 1 und 16.

 **ANMERKUNG:** Eine detaillierte Darstellung der Zuordnung für jedes PowerEdge-System finden Sie im Dokument *Quadport Capable Hardware For the M1000e Modular Chassis* (Vier-Port-fähige Hardware für das modulare Gehäuse M1000e) unter support.dell.com/manuals.

Tabelle 1-1. Port-Zuordnungen der E/A-Module – Blades mit halber Bauhöhe

Blade n	E/A-Modul					
	A1	B1	C1	C2	B2	A2
Integriertes LOM1	Port n					
Integriertes LOM2						Port n
Mezz_FAB_B_Blade n _Port1			Port n			
Mezz_FAB_B_Blade n _Port2					Port n	
Mezz_FAB_B_Blade n _Port3			Port ($n+16$)			
Mezz_FAB_B_Blade n _Port4					Port ($n+16$)	
Mezz_FAB_C_Blade n _Port1			Port n			
Mezz_FAB_C_Blade n _Port2				Port n		
Mezz_FAB_C_Blade n _Port3			Port ($n+16$)			
Mezz_FAB_C_Blade n _Port4				Port ($n+16$)		

Die folgende Tabelle zeigt die Port-Zuordnungen der E/A-Module für ein Blademodul voller Bauhöhe mit Vier-Port-Zusatzkarte. In der Tabelle werden die folgenden Bezeichnungen verwendet:

- n steht für einen variablen Wert zwischen 1 und 8
- LOM1 und LOM2 sind die LOM-Ports von Blademodul n , und LOM3 und LOM4 sind die LOM-Ports von Blademodul $(n+8)$



ANMERKUNG: Eine detaillierte Darstellung der Zuordnung für jedes PowerEdge-System finden Sie im Dokument *Quadport Capable Hardware For the M1000e Modular Chassis* (Vier-Port-fähige Hardware für das modulare Gehäuse M1000e) unter support.dell.com/manuals.

Tabelle 1-2. Port-Zuordnungen der E/A-Module – Blades mit voller Bauhöhe

Blade n und Blade $(n + 8)$	E/A-Modul					
	A1	B1	C1	C2	B2	A2
Integriertes LOM1	Port n					
Integriertes LOM2						Port n
Integriertes LOM3	Port $(n+8)$					
Integriertes LOM4						Port $(n+8)$
Mezz_FAB_B_Blade n _Port1		Port n				
Mezz_FAB_B_Blade n _Port2					Port n	
Mezz_FAB_B_Blade n _Port3		Port $(n+16)$				
Mezz_FAB_B_Blade n _Port4					Port $(n+16)$	
Mezz_FAB_C_Blade n _Port1			Port n			
Mezz_FAB_C_Blade n _Port2				Port n		
Mezz_FAB_C_Blade n _Port3			Port $(n+16)$			
Mezz_FAB_C_Blade n _Port4				Port $(n+16)$		

Tabelle 1-2. Port-Zuordnungen der E/A-Module – Blades mit voller Bauhöhe (fortgesetzt)

Blade n und Blade ($n+8$)	E/A-Modul					
	A1	B1	C1	C2	B2	A2
Mezz_FAB_B_Blade $n+8$ _Port1		Port ($n+8$)				
Mezz_FAB_B_Blade $n+8$ _Port2					Port ($n+8$)	
Mezz_FAB_B_Blade $n+8$ _Port3		Port ($n+24$)				
Mezz_FAB_B_Blade $n+8$ _Port4					Port ($n+24$)	
Mezz_FAB_C_Blade $n+8$ _Port1			Port ($n+8$)			
Mezz_FAB_C_Blade $n+8$ _Port2					Port ($n+8$)	
Mezz_FAB_C_Blade $n+8$ _Port3			Port ($n+24$)			
Mezz_FAB_C_Blade $n+8$ _Port4					Port ($n+24$)	

PowerEdge Blademodule – Kompatibilitätsmatrix für die Vier-Port-Zusatzkarten

Die nachstehende Tabelle gibt Aufschluss über die Kompatibilität der PowerEdge Bladesysteme mit den Vier-Port-Zusatzkarten. In der Tabelle werden die folgenden Bezeichnungen verwendet.

- X zeigt an, dass die Ports der Zusatzkarte von der IOM-Architektur unterstützt werden.
- Ein leerer Tabellenplatz zeigt an, dass die Ports der Zusatzkarte von der IOM-Architektur nicht unterstützt werden.
- Ein Strich (-) besagt, dass die Architektur bei den betreffenden Bladesystemen halber Bauhöhe nicht vorhanden ist.

Tabelle 1-3. Konfigurationsmatrix für Vier-Port-Zusatzkarten

PowerEdge Blademodul	Architektur B1		Architektur C1		Architektur B2		Architektur C2	
	Port 1 und 2	Port 3 und 4	Port 1 und 2	Port 3 und 4	Port 1 und 2	Port 3 und 4	Port 1 und 2	Port 3 und 4
M710	X	X	X	X	X	X	X	
M905	X	X			X	X		
M805	X	X			X	X		
M605	X	X			-	-	-	-
M610	X	X	X	X	-	-	-	-
M600	X	X	X	X	-	-	-	-

PowerEdge Blades M905, M805 und M710 – Port-Zuordnungen der E/A-Module (Zwei-Port-Zusatzkarten)

Die folgenden Tabellen ersetzen Teile von Tabelle 1-12 im Abschnitt „Wissenswertes zum System“ des *Hardware-Benutzerhandbuchs*.

Tabelle 1-4. Port-Zuordnungen der E/A-Module – Blades mit voller Bauhöhe

Blade 1	E/A-Modul					
	A1	B1	C1	C2	B2	A2
Integriertes LOM1	Port 1					Port 1
Integriertes LOM2	Port 9					Port 9
Mezz1_Fab_C			Port 1	Port 1		
Mezz2_Fab_B		Port 1			Port 1	
Mezz3_Fab_C			Port 9	Port 9		
Mezz4_Fab_B		Port 9			Port 9	

Blade 4	E/A-Modul					
	A1	B1	C1	C2	B2	A2
Integriertes LOM1	Port 4					Port 4
Integriertes LOM2	Port 12					Port 12
Mezz1_Fab_C			Port 4	Port 4		
Mezz2_Fab_B		Port 4			Port 4	
Mezz3_Fab_C			Port 12	Port 12		
Mezz4_Fab_B		Port 12			Port 12	

Blade 8	E/A-Modul					
	A1	B1	C1	C2	B2	A2
Integriertes LOM1	Port 8					Port 8
Integriertes LOM2	Port 16					Port 16
Mezz1_Fab_C			Port 8	Port 8		
Mezz2_Fab_B		Port 8			Port 8	
Mezz3_Fab_C			Port 16	Port 16		
Mezz4_Fab_B		Port 16			Port 16	


Blade 6	E/A-Modul					
	A1	B1	C1	C2	B2	A2
Integriertes LOM1	Port 6					Port 6
Integriertes LOM2	Port 14					Port 14
Mezz1_Fab_C			Port 6	Port 6		
Mezz2_Fab_B		Port 6			Port 6	
Mezz3_Fab_C			Port 14	Port 14		
Mezz4_Fab_B		Port 14			Port 14	

PowerEdge™-Blademodule – Versionsanforderungen für Dell™ OpenManage™

Die Blademodule PowerEdge M905 und M805 benötigen die Systemverwaltungssoftware OpenManage Version 5.4.3 oder höher.


 **ANMERKUNG:** OpenManage Version 5.4.3 unterstützt keine Blades vom Typ PowerEdge M600 oder M605.

Die Blademodule PowerEdge M610 und M710 benötigen die Systemverwaltungssoftware OpenManage Version 6.0.1 oder höher.

 **ANMERKUNG:** OpenManage Version 6.0.1 unterstützt keine Blades vom Typ PowerEdge M600, M605, M805 oder M905.

PowerEdge-Blademodule — Versionsanforderungen für CMC-Firmware

Die PowerEdge-Blademodule M905 und M805 benötigen die CMC-Firmwareversion 1.2 oder höher. Die PowerEdge-Blademodule M610 und M710 benötigen die CMC-Firmwareversion 2.0 oder höher. Wenn Sie ein solches Blade in ein M1000e-Gehäuse mit einer älteren CMC-Firmwareversion einsetzen, lässt sich das neue Blade nicht einschalten.

 **ANMERKUNG:** Die vollständige Konfigurations- und Betriebsanleitung für das CMC-Modul finden Sie im *Benutzerhandbuch zum Dell Chassis Management Controller* auf support.dell.com.

CMC-Firmware aktualisieren


Herunterladen der CMC-Firmware


Bevor Sie mit der Firmwareaktualisierung beginnen, laden Sie die aktuelle Firmwareversion von der Website support.dell.com herunter und speichern sie auf Ihrem lokalen System.

Die folgenden Software-Komponenten sind in Ihrem CMC-Firmware-Paket enthalten:


- Kompilierte CMC-Firmware-Codes und -Daten
- Webbasierte Benutzerschnittstelle, JPEG und andere Benutzeroberflächen-Datendateien
- Standardeinstellungskonfigurationsdateien

Verwenden Sie die Seite **Firmware-Aktualisierung**, um die CMC-Firmware auf die neueste Version zu aktualisieren.

 **ANMERKUNG:** Die vollständige Konfigurations- und Betriebsanleitung für das CMC-Modul finden Sie im *Benutzerhandbuch zum Dell Chassis Management Controller* auf support.dell.com.

 **ANMERKUNG:** Bei der Firmwareaktualisierung werden die aktuellen Einstellungen des CMC-Moduls standardmäßig beibehalten. Während des Aktualisierungsvorgangs haben Sie die Möglichkeit, die CMC-Konfigurationseinstellungen auf die werkseitigen Voreinstellungen zurückzusetzen.

Firmwareaktualisierung bei redundanten CMC-Konfigurationen

 **VORSICHTSHINWEIS:** In einer redundanten CMC-Konfiguration müssen Sie die CMC-Firmware auf beiden Modulen aktualisieren. Geschieht dies nicht, so besteht die Gefahr, dass es bei einem CMC-Failover oder -Failback zu unerwartetem Verhalten kommt. Gehen Sie wie folgt vor, um die Firmware bei redundanten CMC-Installationen zu aktualisieren.

- 1 Machen Sie das sekundäre CMC-Modul (Standby-Modul) mithilfe des Befehls `RACADM getsysinfo` oder über die Seite **Chassis Summary** der webbasierten Schnittstelle ausfindig. Optisch erkennen Sie es daran, dass die Statusanzeige beim primären (aktiven) CMC-Modul stetig blau leuchtet, während sie beim sekundären (Standby-)Modul ausgeschaltet ist.
- 2 Aktualisieren Sie als erstes die Firmware des Standby-Moduls. Siehe „CMC-Firmware mittels der webbasierten Benutzerschnittstelle aktualisieren“ oder „Aktualisieren der CMC-Firmware über RACADM“.
- 3 Überprüfen Sie mit dem Befehl `getsysinfo` oder über die **webbasierte Benutzerschnittstelle**, dass sich die Firmware des sekundären (Standby)-Moduls auf dem neuen Versionsstand befindet.
- 4 Nachdem das Standby-CMC-Modul neu gestartet ist, aktualisieren Sie die Firmware des primären (aktiven) CMC-Moduls. Warten Sie 10 Minuten, damit das Standby-CMC-Modul neu starten kann.
Siehe „CMC-Firmware mittels der webbasierten Benutzerschnittstelle aktualisieren“ oder „Aktualisieren der CMC-Firmware über RACADM“.

- 5 Überprüfen Sie mit dem Befehl `getsysinfo` oder über die **webbasierte Benutzerschnittstelle**, dass sich die Firmware des primären Moduls auf dem neuen Versionsstand befindet.
- 6 Nachdem beide CMC-Module auf dieselbe Firmwareversion aktualisiert wurden, setzen Sie das CMC-Modul im linken Schacht mit dem Befehl `cmchangeover` zurück, damit es den Status als primäres Modul erhält.

CMC-Firmware mittels der webbasierten Benutzerschnittstelle aktualisieren

- 1 Melden Sie sich an der webbasierten CMC-Benutzerschnittstelle an. Siehe „Logging in to the CMC Using the Web-Based Interface“ (Anmelden beim CMC über die webbasierte Schnittstelle) im *M1000e Configuration Guide* (Konfigurationshandbuch).
- 2 Klicken Sie in der Systemstruktur auf **Chassis** (Gehäuse).
- 3 Klicken Sie auf die Registerkarte **Update** (Aktualisieren). Die Seite **Updatable Components** (Aktualisierbare Komponenten) wird angezeigt.
- 4 Klicken Sie auf der Seite **Updatable Components** auf den Namen des CMC-Moduls. Die Seite **Firmware Update** (Firmwareaktualisierung) wird eingeblendet.
- 5 Geben Sie im Feld **Value** (Wert) den Pfad zu dem Verzeichnis auf der Verwaltungsstation oder gemeinsamen Netzwerkordner an, in dem sich die Firmware-Imagedatei befindet, oder klicken Sie auf **Browse** (Durchsuchen), und navigieren Sie zum Speicherort der Datei.



ANMERKUNG: Der Name der CMC-Firmware-Imagedatei ist `firmimg.cmc`. Dieser Name darf nicht geändert werden. Speichern Sie die verschiedenen Firmwareversionen an verschiedenen Orten, da der Dateiname immer derselbe ist.

- 6 Klicken Sie auf **Update** (Aktualisieren). Daraufhin werden Sie über Dialogfeld aufgefordert, die Aktion zu bestätigen.
- 7 Klicken Sie auf **Yes** (Ja), um fortzufahren. Die Übertragung der Firmware beginnt, und es wird die Statusmeldung „Firmware Update in Progress“ (Firmware wird aktualisiert) angezeigt. Nach Abschluss der CMC-Aktualisierung wird das CMC-Modul zurückgesetzt. Nachdem das CMC-Modul zurückgesetzt wurde, müssen Sie die Seite **User Interface** (Benutzeroberfläche) aktualisieren und sich dann erneut anmelden.

Aktualisieren der CMC-Firmware über RACADM

- 1 Öffnen Sie die CMC-Befehlszeilenkonsole, und melden Sie sich an.
- 2 Geben Sie Folgendes ein:

```
racadm fwupdate -g -u -a <TFTP-Server-IP-Adresse>  
-d<Dateipfad> -m <aktive-CMC|Standby-CMC>
```

Die vollständige Konfigurations- und Betriebsanleitung für das CMC-Modul finden Sie im *Benutzerhandbuch zum Dell Chassis Management Controller* auf support.dell.com.

PowerEdge-Bladmodule M905 und M805 – Mindestanforderungen für die Speicherredundanz

Die folgenden Informationen aktualisieren die Teilabschnitte zur Speicherredundanz im *Hardware-Benutzerhandbuch* sowie die Systeminformations-Etiketten dieser Bladmodule.

PowerEdge M905

Speicherredundanz wird unterstützt, wenn 24 baugleiche Speichermodule (DIMMs) installiert sind.

PowerEdge M805

Speicherredundanz wird unterstützt, wenn 16 baugleiche Speichermodule installiert sind.

Neue Zusatzkarten

Das Blademodul unterstützt jetzt zusätzlich die folgenden Zusatzkarten:

- Intel® Gigabit ET Vier-Port-Zusatzkarte. Die Matrix für unterstützte Konfigurationen finden Sie unter „Konfigurationsmatrix für Vier-Port-Zusatzkarten“ auf Seite 86.
- Broadcom NetXExtreme II 5709 Ethernet-Zusatzkarte mit vier Ports für Blademodule der M-Serie. Die Matrix für unterstützte Konfigurationen finden Sie unter „Konfigurationsmatrix für Vier-Port-Zusatzkarten“ auf Seite 86.
- Broadcom NetXtreme II 57711 10-Gbit-Ethernet-Zusatzkarte mit zwei Ports mit TOE und iSCSI-Offload für Blademodule der M-Serie
- Broadcom 57710 10-Gbit-Ethernet-Karte
- Emulex LPe1205-M FC8-Karte
- ConnectX MDI QDR



ANMERKUNG: Für die Unterstützung von FC8-Zusatzkarten und E/A-Modulen ist die CMC-Firmwareversion 1.3 erforderlich.



ANMERKUNG: Für die Unterstützung von Link-Tuning bei Zusatzkarten ist die CMC-Firmwareversion 2.0 erforderlich.

Informationen zum Installieren einer Zusatzkarte finden Sie unter „Installieren von Systemkomponenten“ im *Hardware-Benutzerhandbuch*. Ausführliche Informationen zum Konfigurieren bestimmter Karten finden Sie in der Dokumentation zur Karte unter support.dell.com.

Neue E/A-Module

Das System unterstützt jetzt zusätzlich die folgenden E/A-Module:

- Dell PowerConnect™ M8024 10-Gbit-Ethernet-Switchmodul
- Mellanox M2401G DDR-Infiniband-Switchmodul
- Brocade M5424 FC8-Switchmodul
- Mellanox M3601Q QDR Infiniband-Switchmodul



ANMERKUNG: Für die Unterstützung von FC8-Zusatzkarten und E/A-Modulen ist die CMC-Firmwareversion 1.3 erforderlich.

Diese Module sind hot-swap-fähig und können in Architektur B oder Architektur C installiert werden. Beachten Sie die folgenden zusätzlichen Informationen:

- Das M8024 Ethernet-Switchmodul kann auch in Architektur A installiert werden. Es kann in diesem Fall jedoch nur mit 1 Gbit betrieben werden.
- Aufgrund der doppelten Breite des Switches M3601Q DDR und der physischen Beschränkungen des Moduls M1000e würde dieses Switchmodul bei der Installation sowohl Architektur B als auch Architektur C der E/A-Modulbank belegen.
- Allgemeine Informationen zur Installation von E/A-Modulen finden Sie im *Hardware-Benutzerhandbuch* unter „E/A-Module“.

10-Gb-Ethernet-Switch-E/A-Modul PowerConnect M8024

Das PowerConnect M8024-Switch-Modul verfügt über zwei Erweiterungsschächte, in die die folgenden Module installiert werden können:

- Ein 10-Gb-Ethernet-Modul mit vier optischen SFP+-Anschlüssen
- Ein 10-Gb-Ethernetmodul mit drei CX4-Kupfer-Uplinks

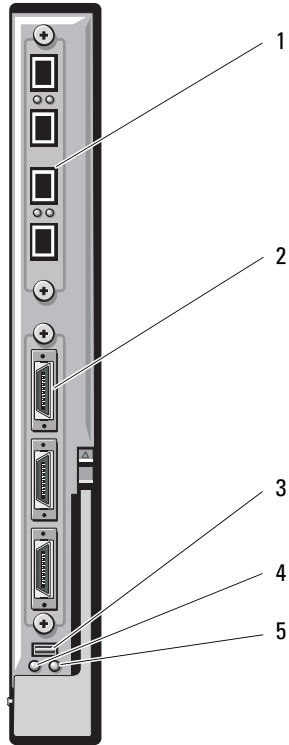
Die Module können in beliebiger Kombination verwendet werden und sind separat erhältlich.

Sie können eines der beiden folgenden Verfahren für die Erstkonfiguration des Switchmoduls auswählen:

- Schließen Sie ein externes Verwaltungssystem über ein optionales serielles USB-Kabel Typ A an das Switchmodul an, und konfigurieren Sie das Switchmodul mit einer Terminal-Anwendung.
- Verwenden Sie die iKVM CMC-Konsole („17. Blade“) und den CMC Befehlszeilen-Befehl `connect switch-n`. Weitere Informationen finden Sie im CMC-Benutzerhandbuch.

Nachdem dem Verwaltungs-VLAN oder der Schnittstelle eine IP-Adresse zugewiesen wurde und das Switchmodul an ein Verwaltungsnetzwerk angeschlossen sind, stehen Telnet und http über das Netzwerk zur Verfügung.

Abbildung 1-1. Switchmodul PowerConnect M8024

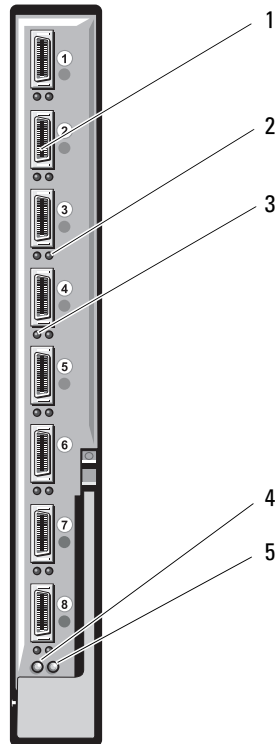


- | | | | |
|---|--|---|-------------------------------------|
| 1 | Optionales Modul mit vier SFP+-Ports | 2 | Optionales Modul mit drei CX4-Ports |
| 3 | Serieller Anschluss für ein optionales USB-Kabel Typ A | 4 | Modulbetriebsanzeige |
| 5 | Status-/Erkennungsanzeige | | |

Mellanox M2401G Infiniband Switch-E/A-Modul

Das Mellanox M2401G Infiniband-Switch-E/A-Modul verfügt über 24 4x DDR Infiniband-Ports. 8 Ports sind externe Uplink-Ports, und 16 interne Ports ermöglichen die Verbindung zu den Bladmodulen im Gehäuse.

Abbildung 1-2. Infiniband-Switchmodul Mellanox M2401G



- | | | | |
|---|---------------------------------|---|--|
| 1 | Infiniband-Ports (8) | 2 | Verbindungsstatusanzeige der Ports (8) |
| 3 | Aktivitätsanzeige der Ports (8) | 4 | Modulbetriebsanzeige |
| 5 | Status-/Erkennungsanzeige | | |

Tabelle 1-5. Mellanox M2401G Infiniband-Switch-Anzeigen

Anzeige	Muster	Beschreibung
Verbindungs- anzeige	Grün, an	Physische Verbindung besteht
	Grün, aus	Keine physische Verbindung vorhanden
Aktivitätsanzeige	Gelb, an	Gültige logische Verbindung zum Infiniband- Netzwerk besteht
	Gelb, blinkend	Daten werden übertragen
	Gelb, aus	Keine logische Verbindung zum Infiniband- Netzwerk

E/A-Modul Brocade M5424 FC8

Das E/A-Modul Brocade M5424 verfügt über acht externe Fibre-Channel-Ports mit automatischer Erkennung (davon sind vier Ports in der Standardkonfiguration aktiviert, und vier weitere Ports können als optionales Upgrade aktiviert werden), 16 interne Ports und einen seriellen Port mit RJ-45-Anschluss. Die externen Fibre-Channel-Ports werden mit 8 Gb/s, 4 Gb/s oder 2 Gb/s betrieben.

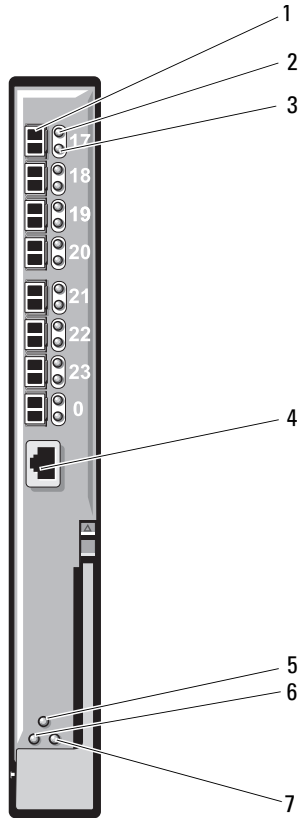


ANMERKUNG: Für die Unterstützung von FC8-Zusatzkarten und E/A-Modulen ist die CMC-Firmwareversion 1.3 erforderlich.



ANMERKUNG: Dieses Fibre-Channel-Switchmodul ist mit optischen SFP-Transceivern (Short Wave Small Form Factor Pluggable) ausgestattet. Um eine ordnungsgemäße Funktion zu gewährleisten, dürfen nur die mit diesem Modul ausgelieferten SFPs verwendet werden.

Abbildung 1-3. E/A-Modul Brocade M5424 FC8



- | | | | |
|---|--|---|--|
| 1 | Fibre-Channel-Port (8) | 2 | Statusanzeige für Fibre-Channel-Port (8) |
| 3 | Geschwindigkeitsanzeige für Fibre-Channel-Port (8) | 4 | Serieller Port (RJ-45-Anschluss) |
| 5 | Statusanzeige | 6 | Modulbetriebsanzeige |
| 7 | Status-/Erkennungsanzeige | | |

Tabelle 1-6. E/A-Modul Brocade M5424 FC8

Anzeigetyp	Muster	Beschreibung
Statusanzeige für Fibre-Channel-Port	Aus	Kein Signalträger
	Gelb stetig	Signal vorhanden, aber nicht online
	Grün stetig	Online, aber keine Aktivität
	Grün, langsam blinkend	Online, aber segmentiert
	Grün, schnell blinkend	Interner Loopback
	Grün flackernd	E/A-Aktivität am Port
	Gelb, langsam blinkend	Port deaktiviert
	Gelb, schnell blinkend	Fehler oder Defekt am Port
Anzeige für Datenrate am Fibre-Channel-Port	Aus	2-Gb-Verbindung hergestellt
	Grün stetig	4-Gb-Verbindung hergestellt
	Gelb stetig	8-Gb-Verbindung hergestellt
Modul-Statusanzeige	Aus	Modul ist ausgeschaltet, oder Gehäusestromversorgung ist ausgeschaltet.
	Grün stetig	Alle Ports sind zur Verwendung bereit.
	Gelb stetig	Modul wird gestartet oder zurückgesetzt, oder die Ports sind offline.
	Grün/Gelb blinkend	Diagnosemeldung im Fehlerprotokoll, oder Wert für Umgebungsbedingung außerhalb des zulässigen Bereichs
Modul-Stromversorgungsanzeige	Aus	Modul wird nicht mit Strom versorgt.
	Grün	Modul wird mit Strom versorgt.
Status/Erkennungsanzeige	Blau, stetig	Primäres Modul in einem Stack, falls zutreffend
	Blau, aus	Sekundäres Modul in einem Stack
	Gelb, blinkend	Fehlerzustand im Modul

Aktuelle Hinweise zur Installation von Festplattenlaufwerken:

- Die Blade-Module PowerEdge M805 und M905 unterstützen ein oder zwei SAS-Festplattenlaufwerke (2,5 Zoll).
- Das Blade PowerEdge M710 unterstützt bis zu vier hot-plug-fähige SAS-Festplattenlaufwerke (2,5 Zoll).
- Die Blades PowerEdge M610, M600 und M605 unterstützen ein oder zwei SATA-Festplattenlaufwerke (2,5 Zoll), oder ein oder zwei SAS-Festplattenlaufwerke (2,5 Zoll), oder ein oder zwei SSD-Festplattenlaufwerke.



ANMERKUNG: SAS- und SATA-Festplattenlaufwerke können in einem Blade-Modul nicht kombiniert werden.



ANMERKUNG: Hot-Plug-Betrieb wird unterstützt, wenn eine optionale RAID-Controllerkarte installiert ist.



ANMERKUNG: SATA-Festplatten sind bei der SATA-Repeater-Zusatzkarte nicht hot-swap-fähig.



VORSICHTSHINWEIS: Um einen ausreichenden Luftstrom für die Kühlung des Blademoduls zu gewährleisten, muss jeder Festplattenlaufwerkschacht entweder ein aktives Festplattenlaufwerk oder einen Laufwerkplatzhalter enthalten.

Installationsrichtlinien für Festplattenlaufwerke

- Wenn eine RAID-Speichercontrollerkarte installiert ist, unterstützt das Blade Hot-Plugging für das Entfernen und Einsetzen von Laufwerken.
- Wenn weniger Festplattenlaufwerke als maximal möglich installiert sind, müssen Festplattenplatzhalter eingesetzt werden, um ausreichende Luftzirkulation zu gewährleisten.

Festplattenlaufwerk installieren



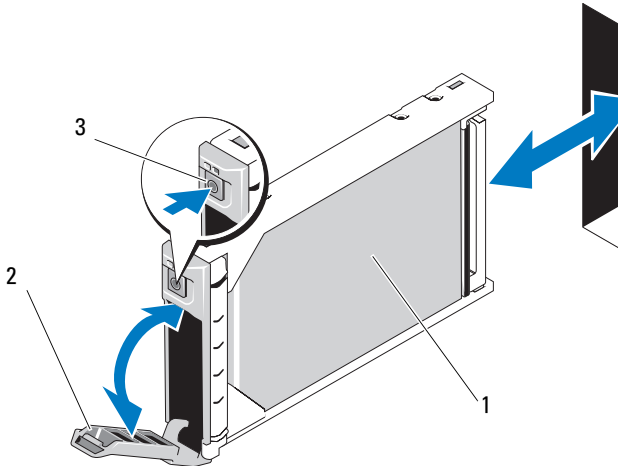
ANMERKUNG: Wenn eine hot-swap-fähige Ersatzfestplatte bei eingeschaltetem Blade installiert wird, beginnt automatisch der Wiederaufbauvorgang der Festplatte. Achten Sie darauf, dass das Ersatzlaufwerk keine Daten enthält, die erhalten bleiben sollen. Sämtliche Daten auf der Ersatzfestplatte gehen unmittelbar nach der Installation der Festplatte verloren.



ANMERKUNG: Die Installation von Hot-Plug-Laufwerken wird nicht von allen Betriebssystemen unterstützt. Informationen hierzu finden Sie in der mit dem Betriebssystem gelieferten Dokumentation.

- 1 Öffnen Sie den Bügel des Festplattenträgers. Siehe Abbildung 1-4.

Abbildung 1-4. Festplattenlaufwerk installieren



- | | | | |
|---|---------------------|---|------------------------------|
| 1 | Festplattenlaufwerk | 2 | Bügel des Festplattenträgers |
| 3 | Entriegelungstaste | | |

- 2 Schieben Sie den Festplattenlaufwerkträger in den Laufwerkschacht. Richten Sie die Hohlkehle am Festplattenträger sorgfältig am vorgesehenen Laufwerkschacht des Blademoduls aus.
- 3 Schieben Sie den Laufwerkträger in den Schacht, bis der Bügel das Blademodul berührt.
- 4 Drehen Sie den Bügel des Festplattenträgers in geschlossene Position, und schieben Sie dabei den Träger in den Schacht, bis er einrastet.

Wenn das Laufwerk korrekt installiert ist, leuchtet die LED-Statusanzeige permanent grün. Während das Laufwerk wiederhergestellt wird, blinkt die grüne LED-Anzeige des Laufwerkträgers. Wenn die LED-Anzeige des Laufwerkträgers nicht leuchtet, lesen Sie die Hinweise im Abschnitt „Fehlerbehebung bei SAS- und SATA-Laufwerken“ im *Hardware-Benutzerhandbuch*.

Entfernen eines Festplattenlaufwerks



ANMERKUNG: Die Installation von Hot-Plug-Laufwerken wird nicht von allen Betriebssystemen unterstützt. Informationen hierzu finden Sie in der mit dem Betriebssystem gelieferten Dokumentation.

- 1 Setzen Sie das Festplattenlaufwerk offline und warten Sie, bis die Festplattenanzeigen am Laufwerkträger signalisieren, dass das Laufwerk sicher entfernt werden kann.

Wenn alle Statusanzeigen aus sind, kann das Laufwerk ausgebaut werden.

Nähere Informationen zum Offline-Setzen des Festplattenlaufwerks erhalten Sie im Handbuch zum Betriebssystem.

- 2 Öffnen Sie den Festplattenlaufwerkträgergriff, um das Laufwerk freizugeben. Siehe Abbildung 1-4.
- 3 Ziehen Sie das Festplattenlaufwerk ganz aus dem Laufwerkschacht heraus. Wenn Sie das Laufwerk dauerhaft entfernen, installieren Sie einen Laufwerkplatzhalter.

Vorgehen beim Herunterfahren zur Wartung einer Festplatte



ANMERKUNG: Dieser Abschnitt betrifft nur Situationen, in denen ein Blade zur Wartung einer Festplatte ausgeschaltet werden muss. In vielen Fällen kann die Wartung einer Festplatte bei eingeschaltetem Blade erfolgen.

Wenn Sie das Blade zur Wartung einer Festplatte ausschalten müssen, warten Sie 30 Sekunden nach dem Verlöschen der Betriebsanzeige am Blade, bevor Sie die Festplatte entfernen. Andernfalls wird die Festplatte nach dem Wiedereinsetzen und dem Einschalten des Blades möglicherweise nicht erkannt.

Konfiguration des Startlaufwerks

Das Laufwerk oder Gerät, von dem das System startet, wird durch die im System-Setup-Programm festgelegte Startreihenfolge bestimmt. Weitere Informationen finden Sie unter „Verwenden des System-Setup-Programms und des UEFI-Boot-Managers“ im *Hardware-Benutzerhandbuch*.

Entfernen einer Festplatte aus einem Laufwerkträger

△ VORSICHTSHINWEIS: Tragen Sie stets eine Erdungsmanschette, wenn Sie Komponenten handhaben, die empfindlich gegen elektrostatische Aufladung sind.

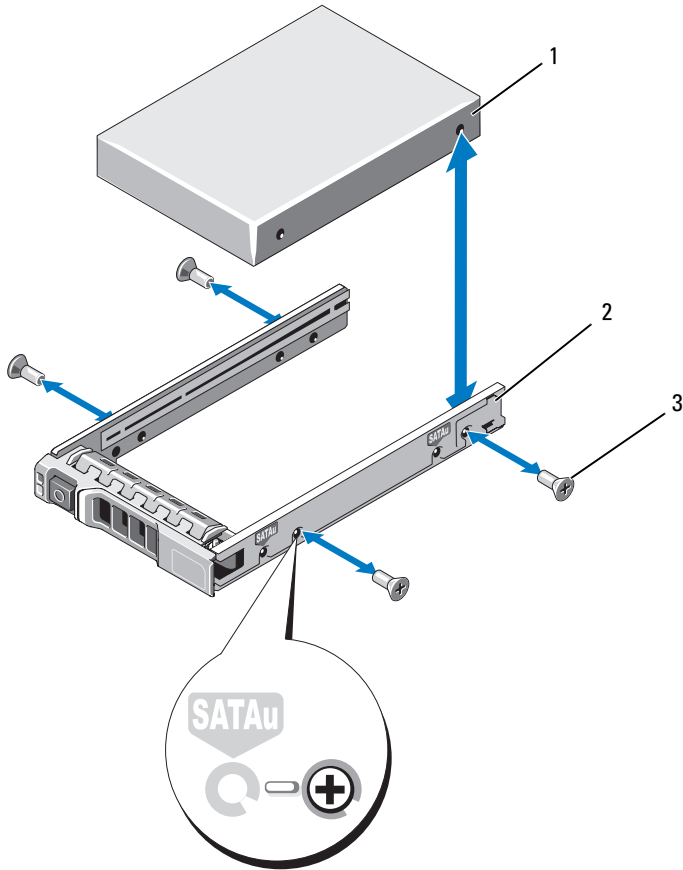
Wenn Sie ein Laufwerk im Laufwerkträger austauschen, entfernen Sie die vier Schrauben von den Führungsschienen am Laufwerkträger, und lösen Sie die Festplatte aus dem Träger. Siehe Abbildung 1-5.

Installation einer Festplatte im Laufwerkträger

- 1** Führen Sie die Festplatte in den Laufwerkträger ein, wobei sich das Anschlussende der Laufwerkcontrollerplatine auf der Rückseite des Trägers befindet. Siehe Abbildung 1-5.
- 2** Schieben Sie das Laufwerk von der Rückseite des Trägers bis zum Anschlag auf der Vorderseite des Trägers.
- 3** Richten Sie die Schraublöcher in der Festplatte an den Löchern am Laufwerkträger aus. Richten Sie bei SATA-Laufwerken die Montageöffnungen des Laufwerks an den mit SATA gekennzeichneten Montageöffnungen des Trägers aus. Siehe Abbildung 1-5.
- 4** Befestigen Sie die vier Schrauben, um die Festplatte am Laufwerkträger zu sichern.

△ VORSICHTSHINWEIS: Ziehen Sie die Schrauben nicht zu fest an, damit Laufwerk oder Träger nicht versehentlich beschädigt werden.

Abbildung 1-5. Festplatte in Laufwerkträger entfernen und installieren



- | | | | |
|---|---------------------|---|----------------|
| 1 | Festplattenlaufwerk | 2 | Laufwerkträger |
| 3 | Schrauben (4) | | |


Dell™ PowerEdge™ M905/
M805/M710/M610/M605/M600


システム

アップデート情報



メモおよび注意

 **メモ**：コンピュータを使いやすいするための重要な情報を説明しています。

 **注意**：手順に従わない場合は、ハードウェアの損傷やデータの損失の可能性があることを示しています。

本書の内容は予告なく変更されることがあります。

© 2008 ~ 2009 すべての著作権は Dell Inc. にあります。

Dell Inc. の書面による許可のない複製は、いかなる形態においても厳重に禁じられています。

本書に使用されている商標：Dell、DELL ロゴ、PowerEdge、PowerConnect および OpenManage は Dell Inc. の商標です。Microsoft、Windows および Windows Server は米国その他の国における Microsoft Corporation の商標または登録商標です。

商標または製品の権利を主張する事業体を表すためにその他の商標および社名が使用されていることがあります。Dell Inc. はデル以外の商標や社名に対する所有権を一切否認します。

Microsoft® のアップデート

以下の問題が Microsoft サポートオンラインのウェブサイト support.microsoft.com で説明されています。

- Microsoft® Windows Server® 2003 または Windows Server 2008 で 4 GB を超えるメモリを搭載したシステムを休止状態モードに設定できない。詳細については、support.microsoft.com/kb/888575 でサポートオンラインを参照してください。
- Windows Server 2008 で内蔵 SD モジュールに SD カードが挿入されているシステムは iSCSI ブートができない。また、システムに外付けの USB ストレージデバイスが取り付けられている場合も、iSCSI ブートができない。これは Microsoft が把握している既知の問題です。詳細については、support.microsoft.com/kb/968410 でサポートオンラインを参照してください。

Dell Update Package について

Dell Update Package (DUP) のインストール処理中に、以下のメッセージが表示される場合があります。



メモ：これらのメッセージは情報表示のみです。

- Windows のハードウェア検出
- Windows のハードウェア構成の問題
- Windows における VFlash の再列挙およびドライブ文字の一時的な変更



注意：DUP を VFlash にインストールしている間は、書き込み処理を行わない（実行されないようにする）ことをお勧めします。

- Unified Server Configurator ドライバまたは診断リポジトリへのインタフェースが閉じた後にシステムの再起動を求めるメッセージ



メモ：システムの再起動は、必ず完了メッセージが表示された後に行ってください。

メモリの電源およびパフォーマンス管理のオプション

電力の管理 画面におけるメモリの電源およびパフォーマンス管理のオプションは、**Maximum Performance**（最大パフォーマンス）、設定頻度、または *Minimum Power*（最小電力）です。

システムメモリ — PowerEdge M710

次の表は、『ハードウェアオーナーズマニュアル』の表 3-5「PowerEdge M710 のメモリ構成の例」への追加分です。

物理メモリの総容量	メモリモジュールの枚数とタイプ	メモリモジュールの位置	プロセッサ	メモリモード	使用可能メモリ
24 GB	2 GB RDIMM 12 枚	A2、A3、A5、A6、A8、A9、B2、B3、B5、B6、B8、B9	2 個	アドバンスト ECC	24 GB

システム仕様のアップデート

メモリ — Dell™ PowerEdge™ M905 および Dell PowerEdge M805

アーキテクチャ

DDR2 メモリモジュール、動作周波数 800 MHz

PowerEdge ブレード — I/O モジュールポートのマッピング (クアドポートメザニンカード)

次の表は、クアドポートメザニンカードを備えたハーフハイトブレード用 I/O モジュールポートのマッピングを示したものです。次の表で、 n は 1 ~ 16 の変数値です。


 **メモ**：各 PowerEdge システムの詳細なマッピングについては、support.dell.com/manuals で『Quadport Capable Hardware For the M1000e Modular Chassis』（M1000e Modular Chassis 用のクアドポート対応ハードウェア）を参照してください。

表 1-1 I/O モジュールポートの割り当て — ハーフハイトブレード

ブレード n	I/O モジュール					
	A1	B1	C1	C2	B2	A2
内蔵 LOM1	ポート n					
内蔵 LOM2						ポート n
Mezz_FAB_B_Blade n _Port1			ポート n			
Mezz_FAB_B_Blade n _Port2					ポート n	
Mezz_FAB_B_Blade n _Port3			ポート ($n+16$)			
Mezz_FAB_B_Blade n _Port4					ポート ($n+16$)	
Mezz_FAB_C_Blade n _Port1			ポート n			
Mezz_FAB_C_Blade n _Port2				ポート n		
Mezz_FAB_C_Blade n _Port3			ポート ($n+16$)			
Mezz_FAB_C_Blade n _Port4				ポート ($n+16$)		

次の表は、クアドポートメザニンカードを備えたフルハイトブレード用 I/O モジュールポートのマッピングを示したものです。表記のルールは次のとおりです。

- n は 1 ~ 8 の変数値です。
- LOM1 と LOM2 はブレード n の LOM ポート、LOM3 と LOM4 はブレード ($n+8$) の LOM ポートです。



メモ：各 PowerEdge システムの詳しいマッピングについては、support.dell.com/manuals で『Quadport Capable Hardware For the M1000e Modular Chassis』（M1000e Modular Chassis 用のクアドポート対応ハードウェア）を参照してください。

表 1-2 I/O モジュールポートの割り当て — フルハイトブレード

ブレード n とブレード ($n+8$)	I/O モジュール					
	A1	B1	C1	C2	B2	A2
内蔵 LOM1	ポート n					
内蔵 LOM2	ポート n					
内蔵 LOM3	ポート ($n+8$)					
内蔵 LOM4	ポート ($n+8$)					
Mezz_FAB_B_Blade n _Port1	ポート n					
Mezz_FAB_B_Blade n _Port2	ポート n					
Mezz_FAB_B_Blade n _Port3	ポート ($n+16$)					
Mezz_FAB_B_Blade n _Port4	ポート ($n+16$)					
Mezz_FAB_C_Blade n _Port1	ポート n					
Mezz_FAB_C_Blade n _Port2	ポート n					
Mezz_FAB_C_Blade n _Port3	ポート ($n+16$)					
Mezz_FAB_C_Blade n _Port4	ポート ($n+16$)					

表 1-2 I/O モジュールポートの割り当て — フルハイトブレード (続き)

ブレード n とブレード ($n+8$)	I/O モジュール					
	A1	B1	C1	C2	B2	A2
Mezz_FAB_B_Blade $n+8$ _Port1		ポート ($n+8$)				
Mezz_FAB_B_Blade $n+8$ _Port2					ポート ($n+8$)	
Mezz_FAB_B_Blade $n+8$ _Port3		ポート ($n+24$)				
Mezz_FAB_B_Blade $n+8$ _Port4					ポート ($n+24$)	
Mezz_FAB_C_Blade $n+8$ _Port1			ポート ($n+8$)			
Mezz_FAB_C_Blade $n+8$ _Port2				ポート ($n+8$)		
Mezz_FAB_C_Blade $n+8$ _Port3			ポート ($n+24$)			
Mezz_FAB_C_Blade $n+8$ _Port4				ポート ($n+24$)		

PowerEdge ブレード — クアッドポートメザニンカードの互換性マトリクス

以下の表は、PowerEdge ブレードシステムとクアッドポートメザニンカードの互換性を示すものです。表記のルールは次のとおりです。

- ✓ は、メザニンカードポートが IOM ファブリック上でサポートされていることを示します。
- 空欄は、メザニンカードポートが IOM ファブリック上でサポートされていないことを示します。
- - は、対応するハーフハイトブレードに対してファブリックが存在しないことを示します。

表 1-3 クアッドポートメザニンカードの構成マトリクス

PowerEdge ブレード	ファブリック B1		ファブリック C1		ファブリック B2		ファブリック C2	
	ポート 1と2	ポート 3と4	ポート 1と2	ポート 3と4	ポート 1と2	ポート 3と4	ポート 1と2	ポート 3と4
M710	✓	✓	✓	✓	✓	✓	✓	
M905	✓	✓			✓	✓		
M805	✓	✓			✓	✓		
M605	✓	✓			-	-	-	-
M610	✓	✓	✓	✓	-	-	-	-
M600	✓	✓	✓	✓	-	-	-	-

PowerEdge M905/M805/M710 ブレード — I/O モジュールポートのマッピング (デュアルポートメザニンカード)

『ハードウェアオーナーズマニュアル』の「お使いのシステムについて」に記載されている表 1-12 の一部訂正を以下の表に示します。

表 1-4 I/O モジュールポートの割り当て — フルハイトブレード

ブレード 1	I/O モジュール					
	A1	B1	C1	C2	B2	A2
内蔵 LOM1	ポート 1					ポート 1
内蔵 LOM2	ポート 9					ポート 9
Mezz1_Fab_C			ポート 1	ポート 1		
Mezz2_Fab_B		ポート 1			ポート 1	
Mezz3_Fab_C			ポート 9	ポート 9		
Mezz4_Fab_B		ポート 9			ポート 9	

ブレード 4	I/O モジュール					
	A1	B1	C1	C2	B2	A2
内蔵 LOM1	ポート 4					ポート 4
内蔵 LOM2	ポート 12					ポート 12
Mezz1_Fab_C			ポート 4	ポート 4		
Mezz2_Fab_B		ポート 4			ポート 4	
Mezz3_Fab_C			ポート 12	ポート 12		
Mezz4_Fab_B		ポート 12			ポート 12	

ブレード 8	I/O モジュール					
	A1	B1	C1	C2	B2	A2
内蔵 LOM1	ポート 8					ポート 8
内蔵 LOM2	ポート 16					ポート 16
Mezz1_Fab_C			ポート 8	ポート 8		
Mezz2_Fab_B		ポート 8			ポート 8	
Mezz3_Fab_C			ポート 16	ポート 16		
Mezz4_Fab_B		ポート 16			ポート 16	

ブレード 6	I/O モジュール					
	A1	B1	C1	C2	B2	A2
内蔵 LOM1	ポート 6					ポート 6
内蔵 LOM2	ポート 14					ポート 14
Mezz1_Fab_C			ポート 6	ポート 6		
Mezz2_Fab_B		ポート 6			ポート 6	
Mezz3_Fab_C			ポート 14	ポート 14		
Mezz4_Fab_B		ポート 14			ポート 14	

PowerEdge™ ブレード — Dell™ OpenManage™ のバージョンの要件

PowerEdge M905/M805 ブレードでは、バージョン 5.4.3 以降の OpenManage システム管理ソフトウェアが必要です。



メモ： OpenManage バージョン 5.4.3 は PowerEdge M600/M605 ブレードをサポートしていません。

PowerEdge M610/M710 ブレードでは、バージョン 6.0.1 以降の OpenManage システム管理ソフトウェアが必要です。



メモ： OpenManage バージョン 6.0.1 は PowerEdge M600/M605/M805/M905 ブレードをサポートしていません。

PowerEdge ブレード — CMC ファームウェアの要件

PowerEdge M905/M805 ブレードでは、バージョン 1.2 以降の CMC ファームウェアが必要です。PowerEdge M610/M710 ブレードでは、バージョン 2.0 以降の CMC ファームウェアが必要です。古いバージョンの CMC ファームウェアがインストールされている M1000e エンクロージャにこれらのブレードを追加すると、新しいブレードの電源が入らなくなります。

 **メモ**：CMC モジュールの設定と操作の詳細については、support.dell.com で最新の Dell Chassis Management Controller の『ユーザーズガイド』を参照してください。

CMC ファームウェアのアップデート

CMC ファームウェアのダウンロード


ファームウェアのアップデートを開始する前に、デルサポートサイト support.dell.com から最新のファームウェアバージョンをダウンロードし、ローカルシステムに保存します。

CMC ファームウェアパッケージには、次のソフトウェアコンポーネントが含まれています。

- コンパイルされた CMC ファームウェアコードとデータ
- ウェブベースのインタフェース、JPEG、およびその他のユーザーインタフェースのデータファイル
- デフォルト構成ファイル

Firmware Update (ファームウェアのアップデート) ページを使用して、CMC ファームウェアを最新のリリースにアップデートします。

 **メモ**：CMC モジュールの設定と操作の詳細については、support.dell.com で最新の Dell Chassis Management Controller の『ユーザーズガイド』を参照してください。

 **メモ**：ファームウェアのアップデートは、デフォルトでは、現在の CMC 設定を保持するように設定されています。アップデート処理中に、CMC 構成設定を工場出荷時のデフォルト設定にリセットするオプションがあります。

冗長 CMC 構成におけるファームウェアのアップデート

△ 注意：冗長 CMC 構成では、両方のモジュールで CMC ファームウェアのアップデートを行う必要があります。これを行わないと、CMC のフェイルオーバーまたはフェイルバック中に予期せぬ動作を引き起こす原因になります。冗長 CMC の導入は、次の手順で行ってください。

- 1 RACADM **getsysinfo** コマンドを使用するか、または**ウェブベースのインタフェース**で **Chassis Summary** (シャーシサマリ) ページを使用して、セカンダリまたはスタンバイ CMC の位置を確認します。ステータスインジケータは、プライマリまたはアクティブ CMC モジュール上では青色に点灯し、スタンバイまたはセカンダリ CMC 上では消灯しています。
- 2 スタンバイ CMC のファームウェアを最初にアップデートします。「ウェブベースのインタフェースを使用した CMC ファームウェアのアップデート」または「RACADM を使用した CMC ファームウェアのアップデート」を参照してください。
- 3 セカンダリまたはスタンバイ CMC のファームウェアが、**getsysinfo** コマンドまたは**ウェブベースのインタフェース**で要求したレベルになっていることを確認します。
- 4 スタンバイ CMC が再起動したら、アクティブまたはプライマリ CMC のファームウェアをアップデートします。スタンバイ CMC が起動するまで、10 分ほど待機してください。
「ウェブベースのインタフェースを使用した CMC ファームウェアのアップデート」または「RACADM を使用した CMC ファームウェアのアップデート」を参照してください。
- 5 アクティブまたはプライマリ CMC のファームウェアが、**getsysinfo** コマンドまたは**ウェブベースのインタフェース**で要求したレベルになっていることを確認します。
- 6 両方の CMC のファームウェアが同じリビジョンにアップデートされたら、**cmchangeover** コマンドを使用して、左スロット内の CMC をプライマリにリセットします。

ウェブベースのインタフェースを使用した CMC ファームウェアのアップデート

- 1 ウェブベースのインタフェースにログインします。M1000e 『設定ガイド』の「ウェブベースのインタフェースを使用した CMC へのログイン」を参照してください。
- 2 システムツリーで **Chassis** (シャーシ) をクリックします。
- 3 **Update** (アップデート) タブをクリックします。 **Updatable Components** (アップデート可能なコンポーネント) ページが表示されます。
- 4 **Updatable Components** (アップデート可能なコンポーネント) ページで、CMC 名をクリックします。 **Firmware Update** (ファームウェアのアップデート) ページが表示されます。
- 5 ファームウェアイメージファイルが保存されている管理ステーションまたは共有ネットワークへのパスを **Value** (値) フィールドに入力するか、または **Browse** (参照) をクリックしてファイルの場所へ移動します。



メモ : CMC ファームウェアイメージのデフォルト名は **firring.cmc** です。ファイル名は変更しないでください。ファイル名が常に同じであるため、リビジョンの異なるファームウェアは必ず別の場所に保管しておいてください。

- 6 **Update** (アップデート) をクリックします。操作の確認を求めるダイアログボックスが表示されます。
- 7 **Yes** (はい) をクリックして続行します。ファームウェアの転送処理が開始し、ステータスに "Firmware Update in Progress" (ファームウェアのアップデートが進行中) というメッセージが表示されます。CMC のアップデートが完了すると、CMC がリセットされます。リセットが完了したら、 **User Interface** (ユーザーインタフェース) ページを更新してから、再度ログインする必要があります。

RACADM を使用した CMC ファームウェアのアップデート

- 1 CMC コマンドラインコンソールを開き、ログインします。
- 2 次のように入力します。

```
racadm fwupdate -g -u -a <TFTP サーバーの IP アドレス>  
-d <ファイルパス> -m <cmc-active|cmc-standby>
```

CMC モジュールの設定と操作の詳細については、support.dell.com で最新の Dell Chassis Management Controller の『ユーザズガイド』を参照してください。

PowerEdge M905/M805 ブレード — メモリスペアリングの要件

以下は、『ハードウェアオーナーズマニュアル』に記載されているメモリスペアリングの項、およびこれらのブレードのシステム情報ラベルのアップデート情報です。

PowerEdge M905

メモリスペアリングは、24 枚の同一のメモリモジュール (DIMM) が取り付けられている場合にサポートされます。

PowerEdge M805

メモリスペアリングは、16 枚の同一のメモリモジュールが取り付けられている場合にサポートされます。

新しいメザニンカード

お使いのブレードでは、以下のメザニンカードが新たにサポートされるようになりました。

- Intel® Gigabit ET クアッドポートメザニンカード。サポートマトリクスについては、112 ページの「クアッドポートメザニンカードの構成マトリクス」を参照してください。
- M シリーズブレード用の Broadcom NetXExtreme II 5709 クアッドポートイーサネットメザニンカード。サポートマトリクスについては、112 ページの「クアッドポートメザニンカードの構成マトリクス」を参照してください。
- M シリーズブレード用の Broadcom NetXtreme II 57711 デュアルポート 10 Gb イーサネットメザニンカード（TOE および iSCSI オフロード搭載）
- Broadcom 57710 10 Gb イーサネットカード
- Emulex LPe1205-M FC8 カード
- ConnectX MDI QDR



メモ：FC8 メザニンカードと I/O モジュールをサポートするには、CMC ファームウェアバージョン 1.3 が必要です。



メモ：メザニンカードのリンクチューニングをサポートするには、CMC ファームウェアバージョン 2.0 が必要です。

メザニンカードのインストールについては、『ハードウェアオーナーズマニュアル』の「システム部品の取り付け」を参照してください。

特定のカードを設定するための詳細情報は、**support.dell.com** でカードのマニュアルを参照してください。

新しい I/O モジュール

お使いのシステムでは、以下の I/O モジュールが新たにサポートされるようになりました。

- Dell PowerConnect™ M8024 10 Gb イーサネットスイッチモジュール
- Mellanox M2401G DDR Infiniband スイッチモジュール
- Brocade M5424 FC8 スイッチモジュール
- Mellanox M3601Q QDR Infiniband スイッチモジュール



メモ：FC8 メザニンカードと I/O モジュールをサポートするには、CMC ファームウェアバージョン 1.3 が必要です。

これらのモジュールはホットスワップ対応で、ファブリック B またはファブリック C に取り付けることができます。以下の追加情報をお読みください。

- **M8024** イーサネットスイッチモジュールはファブリック A に取り付けることもできますが、このファブリックでは動作速度が 1 Gb に限定されます。
- **M3601Q** QDR スイッチがデュアルワイドであることと、**M1000e** の物理的な制約から、このスイッチモジュールは、取り付けると I/O モジュールバンクのファブリック B と C の両方にかかります。
- I/O モジュールの取り付けに関する一般的な情報は、『ハードウェアオーナーズマニュアル』の「I/O モジュール」を参照してください。

PowerConnect M8024 10 Gb イーサネットスイッチ I/O モジュール

PowerConnect M8024 スイッチモジュールには、以下のモジュールをサポートする 2 つのオプションベイが備わっています。

- オプティカル SFP+ コネクタを 4 個を備えた 10 Gb イーサネットモジュール
- 3 つの銅線 CX4 アップリンクを備えた 10 Gb イーサネットモジュール

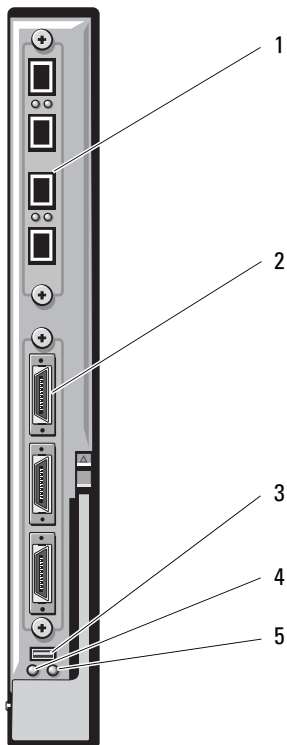
これらのモジュールは別売で、どんな組み合わせでも使用できます。

次の 2 つの方法のいずれかを用いてスイッチの初期設定を行います。

- オプションの USB タイプ A フォームファクターシリアルケーブルを使用して外付け管理システムをスイッチに接続し、ターミナルアプリケーションを使用してスイッチを設定する。
- iKVM CMC コンソール（「17 番目のブレード」）と **connect switch-n** CMC CLI コマンドを使用する。詳細については、CMC の『ユーザーズガイド』を参照してください。

管理 VLAN またはインタフェースに IP アドレスが設定され、スイッチが管理ネットワークに接続されると、Telnet と http の両方がネットワーク経由で使用できるようになります。

図 1-1. PowerConnect M8024 スイッチモジュール

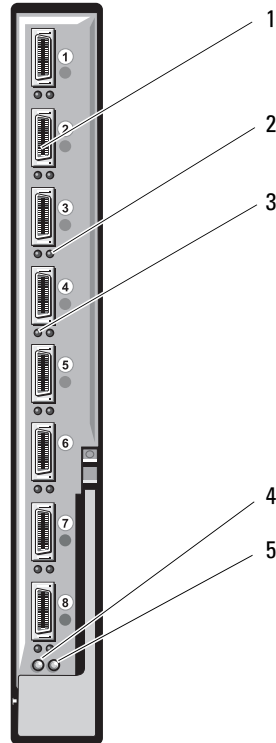


- | | | | |
|---|--|---|----------------------------|
| 1 | SFP+ ポートを 4 個備えたオプションのモジュール | 2 | CX4 ポートを 3 個備えたオプションのモジュール |
| 3 | オプションの USB タイプ A フォームファクターケーブル用のシリアルコネクタ | 4 | モジュール電源インジケータ |
| 5 | ステータス / 識別インジケータ | | |

Mellanox M2401G Infiniband スイッチの I/O モジュール

Mellanox M2401G Infiniband スイッチ I/O モジュールには、4x DDR Infiniband ポートが 24 個あります。8 個が外部アップリンクポートで、16 個の内部ポートが、エンクロージャ内のブレードに対する接続を提供します。

図 1-2. Mellanox M2401G Infiniband スイッチモジュール




- | | | | |
|---|----------------------|---|-----------------------|
| 1 | Infiniband ポート (8) | 2 | ポートリンクステータスインジケータ (8) |
| 3 | ポートアクティビティインジケータ (8) | 4 | モジュール電源インジケータ |
| 5 | ステータス / 識別インジケータ | | |

表 1-5 Mellanox M2401G Infiniband スイッチのインジケータ

インジケータ	パターン	説明
リンクインジケータ	緑色の点灯	物理リンクが確立されています。
	緑色の消灯	物理リンクがありません。
アクティビティインジケータ	黄色の点灯	Infiniband ネットワークへの有効な論理リンクが確立されています。
	黄色の点滅	データ転送が行われています。
	黄色の消灯	Infiniband ネットワークへの論理リンクがありません。

Brocade M5424 FC8 I/O モジュール

Brocade M5424 I/O モジュールには、外部自動認識ファイバーチャネルポート 8 個（4 個は標準構成で有効になっており、4 個の追加ポートはオプションのアップグレードとして有効にできます）、内部ポート 16 個、および RJ-45 コネクタ付きのシリアルポート 1 個が装備されています。外部ファイバーチャネルポートは、8Gb/ 秒、4Gb/ 秒、または 2Gb/ 秒で動作します。

 **メモ**：FC8 メザニンカードと I/O モジュールをサポートするには、CMC ファームウェアバージョン 1.3 が必要です。


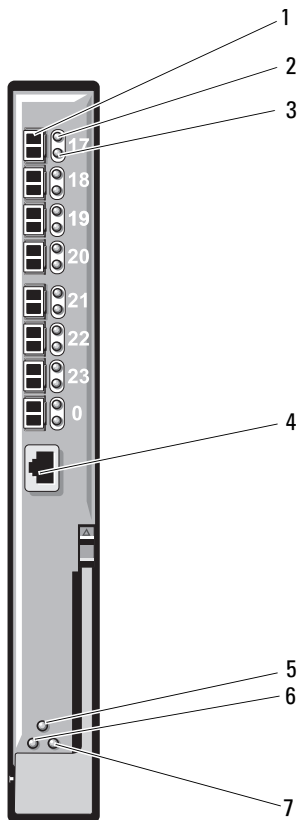
 **メモ**：このファイバーチャネルスイッチモジュールには、短波 SFP (Small Form Factor Pluggable) オプティカルトランシーバが搭載されています。正常な動作を確保するために、このモジュールに付属の SFP のみを使用してください。

図 1-3. Brocade M5424 FC8 I/O モジュール




- | | | | |
|---|--------------------------|---|-----------------------------|
| 1 | ファイバーチャネルポート (8) | 2 | ファイバーチャネルポートステータスインジケータ (8) |
| 3 | ファイバーチャネルポート速度インジケータ (8) | 4 | シリアルポート (RJ-45 コネクタ) |
| 5 | ステータスインジケータ | 6 | モジュール電源インジケータ |
| 7 | ステータス / 識別インジケータ | | |


表 1-6 Brocade M5424 FC8 I/O モジュール


インジケータ のタイプ	パターン	説明
ファイバー チャンネルポー トステータス インジケータ	消灯	信号キャリアなし。
	黄色の点灯	信号はありますが、オンラインではありません。
	緑色の点灯	オンラインですが、アクティビティがありません。
	緑色にゆっ くり点滅	オンラインですがセグメント化されています。
	緑色にすばや く点滅	内部ループバック
	緑色の点滅	ポートで I/O 処理が行われています。
	黄色にゆっ くり点滅	ポートが無効です。
	黄色にすばや く点滅	ポートにエラーまたは障害があります。
ファイバー チャンネルポー ト速度インジ ケータ	消灯	2 Gb のリンクが確立しています。
	緑色の点灯	4 Gb のリンクが確立しています。
	黄色の点灯	8 Gb のリンクが確立しています。
モジュールス テータスイン ジケータ	消灯	モジュールの電源またはエンクロージャの電源が切れて います。
	緑色の点灯	すべてのポートが使用できる状態です。
	黄色の点灯	モジュールが起動中、リセット中、またはポートがオ フラインです。
	緑色 / 黄色の 点滅	エラーログに診断メッセージが表示されました。また は環境範囲を超えました。
モジュール 電源インジ ケータ	消灯	モジュールへの電源が切れています。
	緑色	モジュールに電源が入っています。
ステータス / 識別インジ ケータ	青色の点灯	該当する場合は、スタック内のプライマリモジュール。
	青色の消灯	スタック内のセカンダリモジュール。
	黄色の点滅	モジュールに障害があります。


ハードドライブの取り付けに関するアップデート情報

- PowerEdge M805/M905 ブレードでは、2.5 インチ SAS ハードディスクドライブを 2 台まで使用できます。
- PowerEdge M710 ブレードでは、2.5 インチ SAS ハードドライブを 1～4 台使用できます。
- PowerEdge M610/M600/M605 ブレードでは、2.5 インチ SATA ハードドライブを 2 台まで、2.5 インチ SAS ハードドライブを 2 台まで、またはソリッドステートディスク (SSD) ハードドライブを 2 台まで使用できます。

 **メモ**：1 台のブレード内に SAS と SATA のハードドライブを混在させることはできません。

 **メモ**：オプションの RAID コントローラカードが取り付けられている場合は、ホットプラグドライブ操作がサポートされます。


 **メモ**：SATA リピータードーターカードを使用している場合、SATA ハードドライブはホットスワップ対応になりません。


 **注意**：ブレードの冷却に十分な通気を確保するために、各ハードドライブベイにアクティブなハードドライブまたはドライブダミーのいずれかを取り付ける必要があります。

ハードドライブ取り付けのガイドライン

- RAID コントローラストレージカードを取り付けている場合、ブレードはホットプラグ対応ドライブの取り外しと取り付けをサポートします。
- 取り付けるハードドライブが最大数に満たない場合は、適切な通気による冷却効果を維持するためにハードドライブのダミーを取り付ける必要があります。

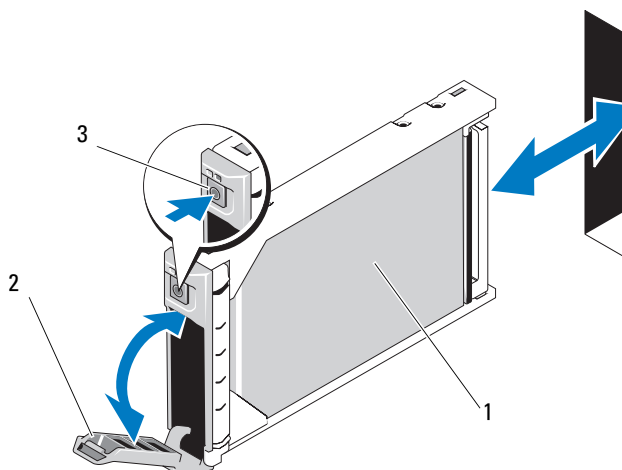
ハードドライブの取り付け

 **メモ**：ホットスワップ対応の交換用ハードドライブを取り付け、ブレードの電源を入れると、ハードドライブのリビルドが自動的に始まります。交換用ハードドライブが空であるか、または上書きしてよいデータのみが格納されていることを確認します。交換用ハードドライブ上のデータはすべて、ハードドライブの取り付け後、ただちに失われます。

 **メモ**：ホットプラグ対応ドライブの取り付けをサポートしていない OS もあります。OS に付属のマニュアルを参照してください。

- 1 ハードドライブキャリアハンドルを開きます。図 1-4 を参照してください。

図 1-4. ハードドライブの取り付け



- | | | | |
|---|---------|---|----------|
| 1 | ハードドライブ | 2 | キャリアハンドル |
| 3 | リリースボタン | | |

- 2 ハードドライブキャリアをドライブベイに挿入します。ハードドライブキャリアのチャンネルをブレードの適切なドライブスロットに注意深く合わせます。
- 3 ハンドルがブレードに接触するまで、ドライブキャリアをスロットに押し込みます。
- 4 キャリアをスロットに押し込みながら、キャリアハンドルを起こして閉じ位置にはめ込み、所定の位置に固定します。

ドライブが正しく挿入されると、ステータス LED インジケータが緑色に点灯します。ドライブのリビルド中、ドライブキャリア LED の緑色のインジケータが点滅します。ドライブキャリア LED が点滅しない場合は、『ハードウェアオーナーズマニュアル』の「SAS ドライブおよび SATA ドライブのトラブルシューティング」を参照してください。

ハードドライブの取り外し



メモ：ホットプラグ対応ドライブの取り付けをサポートしていない OS もあります。OS に付属のマニュアルを参照してください。

- 1 ハードドライブをオフラインにして、ドライブキャリアのハードドライブインジケータコードが、ドライブを取り外しても安全であるという信号を発するまで待ちます。

すべてのインジケータが消えたら、ドライブを安全に取り外すことができます。

ハードドライブをオフラインにする作業の詳細については、OS のマニュアルを参照してください。

- 2 ハードドライブキャリアのハンドルを開いて、ドライブを取り出せるようにします。図 1-4 を参照してください。
- 3 ドライブベイから外れるまで、ハードドライブを手前に引き出します。

ハードドライブを取り外したままにする場合は、ブランクカバーを取り付けます。

ハードドライブの保守のためのシャットダウン手順



メモ：本項は、ハードドライブの保守のためにブレードの電源を切る必要がある場合にのみ適用されます。多くの場合は、ブレードの電源がオンの状態でハードドライブの保守が可能です。

ハードドライブの保守のためにブレードの電源を切る必要がある場合は、ブレードの電源インジケータが消灯した後、30 秒待ってからハードドライブを取り外してください。そうしないと、ハードドライブを再度取り付けてブレードの電源を再度入れた時に、ハードドライブが認識されない場合があります。

起動ドライブの設定

システムが起動に使用するドライブまたはデバイスは、セットアップユーティリティで設定する起動順序によって決まります。『ハードウェアオーナーズマニュアル』の「セットアップユーティリティと UEFI ブートマネージャの使い方」を参照してください。

ハードドライブをハードドライブキャリアから取り外す方法

△ **注意**：静電気に敏感な部品が使われている装置を取り扱う際には、静電気防止用リストバンドを必ず使用してください。

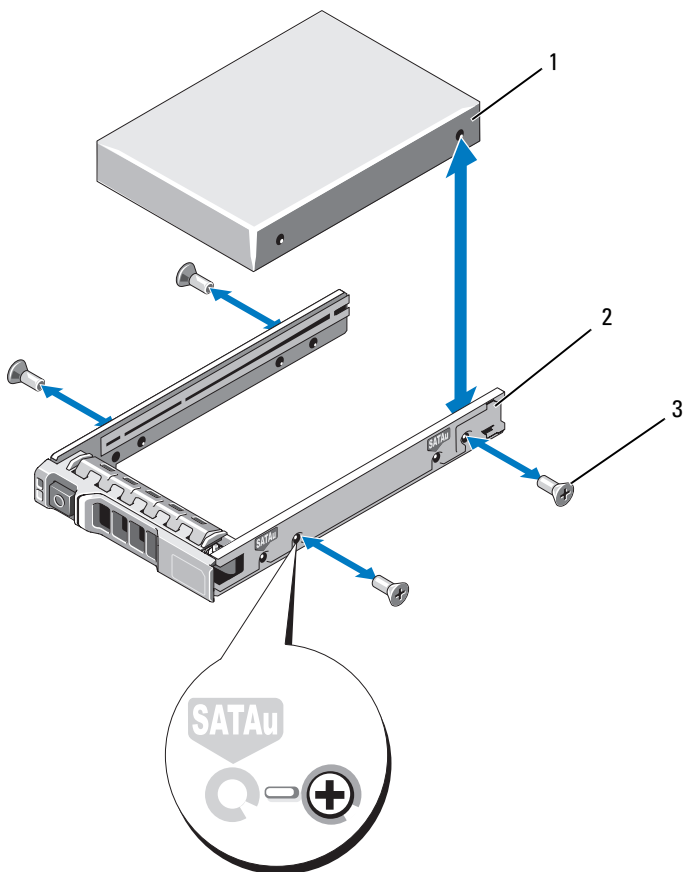
キャリア内のドライブを交換する場合は、ハードドライブキャリアのスライドレールから 4 本のネジを取り外し、ハードドライブをキャリアから離します。図 1-5 を参照してください。

ハードドライブをドライブキャリアに取り付ける方法

- 1 ドライブのコントローラボードのコネクタ側がキャリアの後部に来るようにして、ハードドライブをハードドライブキャリアに挿入します。図 1-5 を参照してください。
- 2 キャリアの後部から、ドライブがキャリア前部のストップタブに接触するまでキャリア内に押し込みます。
- 3 ハードディスクドライブのネジ穴をハードディスクドライブキャリアの穴に合わせます。SATA ドライブの場合は、ドライブの取り付け穴と **SATA** のマークが付いたキャリアの取り付け穴を合わせます。図 1-5 を参照してください。
- 4 4 本のネジを取り付けて、ハードドライブをハードドライブキャリアに固定します。

△ **注意**：ドライブまたはキャリアが損傷しないよう、ネジを締めすぎないようにしてください。

図 1-5. ドライブキャリアへのハードドライブの取り付けと取り外し



- 1 ハードドライブ
- 2 ドライブキャリア
- 3 ネジ (4)

Dell™ PowerEdge™ M905,
M805, M710, M610, M605
및 M600 시스템
정보 갱신본



주 및 주의



주: 주는 컴퓨터를 보다 효율적으로 사용하는 데 도움을 주는 중요 정보를 제공합니다.



주의: 주의는 지침을 준수하지 않으면 하드웨어 손상이나 데이터 손실의 위험이 있음을 알려 줍니다.

이 문서의 정보는 사전 통보 없이 변경될 수 있습니다.

© 2008-2009 Dell Inc. **저작권 본사 소유.**

Dell Inc.의 서면 승인 없이 어떠한 경우에도 무단 복제하는 것을 엄격히 금합니다.

본 설명서에 사용된 상표인: *Dell*, *DELL* 로고, *PowerEdge*, *PowerConnect* 및 *OpenManage*는 Dell Inc.의 상표이며 *Microsoft*, *Windows* 및 *Windows Server*는 미국 및/또는 기타 국가에서 Microsoft Corporation의 상표 또는 등록 상표입니다.

본 문서에서 특정 회사의 표시나 제품 이름을 지칭하기 위해 기타 상표나 상호를 사용할 수도 있습니다. Dell Inc.는 자사가 소유하고 있는 것 이외에 기타 모든 상표 및 상호에 대한 어떠한 소유권도 없습니다.

Microsoft® 업데이트

다음 문제는 Microsoft 도움말 및 지원 웹 사이트 support.microsoft.com 을 참조하십시오 .


- Microsoft® Windows Server® 2003 또는 Windows Server 2008 을 실행하는 시스템은 4GB 이상의 메모리가 설치되지 않으면 최대 절전 모드로 설정할 수 없습니다 . 자세한 내용은 support.microsoft.com/kb/888575 의 기술 자료 문서를 참조하십시오 .
- Windows Server 2008 을 실행하는 시스템은 내장형 SD 모듈에 SD 카드가 설치되어 있는 경우 iSCSI 부팅을 지원하지 않습니다 . 또한 , iSCSI 부팅은 외부 USB 저장 장치가 시스템에 연결되어 있는 경우에도 작동하지 않습니다 . 이것은 Microsoft 의 알려진 문제입니다 . 자세한 내용은 support.microsoft.com/kb/968410 의 기술 자료 문서를 참조하십시오 .

Dell 업데이트 패키지 정보

Dell 업데이트 패키지 (DUP) 설치 과정에서 다음과 관련된 메시지를 볼 수 있습니다 .

 **주 :** 이 메시지들은 참조 전용입니다 .

- Windows 하드웨어 검색
- Windows 하드웨어 구성 문제
- Windows 의 VFlash 및 일시적인 드라이브 문자 변경 재표시

 **주의 :** VFlash 에 DUP 설치 중에는 다른 쓰기 작업을 실행 (또는 수행) 하지 않는 것이 좋습니다 .

- Unified Server Configurator 드라이버 또는 진단 저장소에 대한 인터페이스가 닫힌 후 시스템 재부팅 필요

 **주 :** 전체 메시지가 표시된 후에만 시스템을 재부팅하십시오 .

PowerEdge 블레이드 — I/O 모듈 포트 매핑 (4 중 포트 중간 카드)

다음 표에서는 4 중 포트 중간 카드가 있는 절반 높이 블레이드에 대한 I/O 모듈 포트 매핑을 보여 줍니다. 다음 표에서 n 은 1 에서 16 까지의 변수 값을 의미합니다.


 **주 :** 각 PowerEdge 시스템 매핑에 대한 자세한 내용은 support.dell.com/manuals 에 있는 *Quadport Capable Hardware For the M1000e Modular Chassis* (4 중 포트 가능한 M1000e 모듈식 새시용 하드웨어) 문서를 참조하십시오 .

표 1-1. I/O 모듈 포트 할당 — 절반 높이 블레이드

블레이드 n	I/O 모듈					
	A1	B1	C1	C2	B2	A2
내장형 LOM1	포트 n					
내장형 LOM2						포트 n
Mezz_FAB_B_Blade n _Port1			포트 n			
Mezz_FAB_B_Blade n _Port2					포트 n	
Mezz_FAB_B_Blade n _Port3			포트 ($n+16$)			
Mezz_FAB_B_Blade n _Port4					포트 ($n+16$)	
Mezz_FAB_C_Blade n _Port1			포트 n			
Mezz_FAB_C_Blade n _Port2				포트 n		
Mezz_FAB_C_Blade n _Port3			포트 ($n+16$)			
Mezz_FAB_C_Blade n _Port4				포트 ($n+16$)		

다음 표에서는 4 중 포트 중간 카드가 있는 전체 높이 블레이드에 대한 I/O 모듈 포트 매핑을 보여 줍니다. 표에 사용된 기호는 다음을 의미합니다.

- n 은 1 에서 8 까지의 변수 값입니다.
- LOM1 및 LOM2 는 블레이드 n 의 LOM 포트이며 LOM3 및 LOM4 는 블레이드 $(n+8)$ 의 LOM 포트입니다.



주 : 각 PowerEdge 시스템 매핑에 대한 자세한 내용은 support.dell.com/manuals 에 있는 *Quadport Capable Hardware For the M1000e Modular Chassis* (4 중 포트 가능한 M1000e 모듈식 새시용 하드웨어) 문서를 참조하십시오 .

표 1-2. I/O 모듈 포트 할당 — 전체 높이 블레이드

블레이드 n 및 블레이드 $(n+8)$	I/O 모듈					
	A1	B1	C1	C2	B2	A2
내장형 LOM1	포트 n					
내장형 LOM2						포트 n
내장형 LOM3	포트 $(n+8)$					
내장형 LOM4						포트 $(n+8)$
Mezz_FAB_B_Blade n _Port1		포트 n				
Mezz_FAB_B_Blade n _Port2					포트 n	
Mezz_FAB_B_Blade n _Port3		포트 $(n+16)$				
Mezz_FAB_B_Blade n _Port4					포트 $(n+16)$	
Mezz_FAB_C_Blade n _Port1			포트 n			
Mezz_FAB_C_Blade n _Port2				포트 n		
Mezz_FAB_C_Blade n _Port3			포트 $(n+16)$			
Mezz_FAB_C_Blade n _Port4				포트 $(n+16)$		
Mezz_FAB_B_Blade $n+8$ _Port1		포트 $(n+8)$				

표 1-2. I/O 모듈 포트 할당 — 전체 높이 블레이드 (계속)

블레이드 n 및 블레이드 ($n+8$)	I/O 모듈					
	A1	B1	C1	C2	B2	A2
Mezz_FAB_B_Blade $n+8_Port2$					포트 ($n+8$)	
Mezz_FAB_B_Blade $n+8_Port3$		포트 ($n+24$)				
Mezz_FAB_B_Blade $n+8_Port4$					포트 ($n+24$)	
Mezz_FAB_C_Blade $n+8_Port1$			포트 ($n+8$)			
Mezz_FAB_C_Blade $n+8_Port2$				포트 ($n+8$)		
Mezz_FAB_C_Blade $n+8_Port3$			포트 ($n+24$)			
Mezz_FAB_C_Blade $n+8_Port4$				포트 ($n+24$)		

PowerEdge 블레이드 — 4 중 포트 중간 카드에 대한 호환성 표

다음 표에서는 4 중 포트 중간 카드가 있는 PowerEdge 블레이드 시스템의 호환성을 보여 줍니다. 표에 사용된 기호는 다음을 의미합니다.

- X는 중간 카드 포트가 IOM 패브릭에서 지원됨을 나타냅니다.
- 공백은 중간 카드 포트가 IOM 패브릭에서 지원되지 않음을 나타냅니다.
- N/A는 해당 절반 높이 블레이드에 대한 패브릭이 없음을 나타냅니다.

표 1-3. 4 중 포트 중간 카드에 대한 구성 표

PowerEdge 블레이드	패브릭 B1		패브릭 C1		패브릭 B2		패브릭 C2	
	포트 1 및 2	포트 3 및 4	포트 1 및 2	포트 3 및 4	포트 1 및 2	포트 3 및 4	포트 1 및 2	포트 3 및 4
M710	X	X	X	X	X	X	X	
M905	X	X			X	X		
M805	X	X			X	X		
M605	X	X			N/A	N/A	N/A	N/A
M610	X	X	X	X	N/A	N/A	N/A	N/A
M600	X	X	X	X	N/A	N/A	N/A	N/A

PowerEdge M905, M805 및 M710 블레이드 — I/O 모듈 포트 매핑 (이중 포트 중간 카드)

다음 표는 *하드웨어 소유자 매뉴얼*의 "시스템 정보" 항목에 있는 표 1-12 부분에 대한 정정 내용입니다.

표 1-4. I/O 모듈 포트 할당 기록 — 높이 블레이드

블레이드 1	I/O 모듈					
	A1	B1	C1	C2	B2	A2
내장형 LOM1	포트 1					포트 1
내장형 LOM2	포트 9					포트 9
Mezz1_Fab_C			포트 1	포트 1		
Mezz2_Fab_B		포트 1			포트 1	
Mezz3_Fab_C			포트 9	포트 9		
Mezz4_Fab_B		포트 9			포트 9	

블레이드 4	I/O 모듈					
	A1	B1	C1	C2	B2	A2
내장형 LOM1	포트 4					포트 4
내장형 LOM2	포트 12					포트 12
Mezz1_Fab_C			포트 4	포트 4		
Mezz2_Fab_B		포트 4			포트 4	
Mezz3_Fab_C			포트 12	포트 12		
Mezz4_Fab_B		포트 12			포트 12	

블레이드 8	I/O 모듈					
	A1	B1	C1	C2	B2	A2
내장형 LOM1	포트 8					포트 8
내장형 LOM2	포트 16					포트 16
Mezz1_Fab_C			포트 8	포트 8		
Mezz2_Fab_B		포트 8			포트 8	
Mezz3_Fab_C			포트 16	포트 16		
Mezz4_Fab_B		포트 16			포트 16	

블레이드 6	I/O 모듈					
	A1	B1	C1	C2	B2	A2
내장형 LOM1	포트 6					포트 6
내장형 LOM2	포트 14					포트 14
Mezz1_Fab_C			포트 6	포트 6		
Mezz2_Fab_B		포트 6			포트 6	
Mezz3_Fab_C			포트 14	포트 14		
Mezz4_Fab_B		포트 14			포트 14	

PowerEdge™ 블레이드 — Dell™ OpenManage™ 버전 요구 사항

PowerEdge M905 및 M805 블레이드에는 OpenManage 시스템 관리 소프트웨어 버전 5.4.3 이상이 필요합니다.



주 : OpenManage 버전 5.4.3 은 PowerEdge M600 또는 M605 블레이드를 지원하지 않습니다.


PowerEdge M610 및 M710 블레이드에는 OpenManage 시스템 관리 소프트웨어 버전 6.0.1 이상이 필요합니다.



주 : OpenManage 버전 6.0.1 은 PowerEdge M600, M605, M805 또는 M905 블레이드를 지원하지 않습니다.

PowerEdge 블레이드 — CMC 펌웨어 요구 사항

PowerEdge M905 및 M805 블레이드에는 CMC 펌웨어 버전 1.2 이상이 필요합니다. PowerEdge M610 및 M710 블레이드에는 CMC 펌웨어 버전 2.0 이상이 필요합니다. 이러한 블레이드를 이전 CMC 펌웨어 버전으로 M1000e 인클로저에 추가하면 새 블레이드의 전원이 켜지지 않습니다.

 **주 :** CMC 모듈 구성 및 작동 방법에 대한 지침은 최신 *Dell 새시 관리 컨트롤러 사용 설명서* (support.dell.com) 를 참조하십시오.

CMC 펌웨어 업데이트


CMC 펌웨어 다운로드


펌웨어 업데이트를 시작하기 전에 support.dell.com 웹 사이트에서 최신 펌웨어 버전을 다운로드하여 로컬 시스템에 저장하십시오.

다음 소프트웨어 구성요소는 CMC 펌웨어 패키지와 함께 제공됩니다.

- 컴파일된 CMC 펌웨어 코드 및 데이터
- 웹 기반 인터페이스, JPEG 및 기타 사용자 인터페이스 데이터 파일
- 기본 구성 파일

Firmware Update(펌웨어 업데이트) 페이지에서 CMC 펌웨어를 최신 버전으로 업데이트하십시오.

 **주 :** CMC 모듈 구성 및 작동 방법에 대한 지침은 최신 *Dell 새시 관리 컨트롤러 사용 설명서* (support.dell.com) 를 참조하십시오.

 **주 :** 기본적으로 펌웨어 업데이트는 현재 CMC 설정을 그대로 유지합니다. 업데이트 프로세스 중에 CMC 구성 설정을 출하시 기본 설정으로 재설정할 수 있습니다.

중복 CMC 구성의 펌웨어 업데이트

△ 주의 : 중복 CMC 구성에서는 두 모듈에서 CMC 펌웨어를 업데이트해야 합니다. 이렇게 하지 않으면 CMC 장애 조치 (failover) 또는 장애 복구 (failback) 도중 예기치 않은 동작이 발생할 수 있습니다. 다음 절차를 수행하여 중복 CMC 를 배포하십시오 .

- 1 RACADM getsysinfo 명령어를 사용하거나 웹 기반 인터페이스의 Chassis Summary(새시 요약) 페이지에서 보조 또는 대기 CMC 를 찾습니다 . 상태 표시등은 기본 또는 활성 CMC 모듈에서는 청색으로 나타나고 대기 또는 보조 CMC 에서는 꺼집니다 .
- 2 먼저 대기 CMC에서 펌웨어를 업데이트합니다 . "웹 기반 인터페이스를 사용하여 CMC 펌웨어 업데이트 " 또는 "RACADM 을 사용하여 CMC 펌웨어 업데이트 " 를 참조하십시오 .
- 3 getsysinfo 명령어를 사용하거나 웹 기반 인터페이스를 통해 보조 또는 대기 CMC 펌웨어가 요청된 레벨에 있는지 확인합니다 .
- 4 대기 CMC가 재부팅되면 활성 또는 기본 CMC의 펌웨어를 업데이트합니다 . 대기 CMC 의 부팅 시간을 10 분으로 허용합니다 .
" 웹 기반 인터페이스를 사용하여 CMC 펌웨어 업데이트 " 또는 "RACADM 을 사용하여 CMC 펌웨어 업데이트 " 를 참조하십시오 .
- 5 getsysinfo 명령어를 사용하거나 웹 기반 인터페이스를 통해 활성 또는 기본 CMC 펌웨어가 요청된 레벨에 있는지 확인합니다 .
- 6 CMC 가 모두 동일한 펌웨어 버전으로 업데이트되면 cmcchangeover 명령어를 사용하여 왼쪽 슬롯의 CMC 를 기본으로 재설정합니다 .

웹 기반 인터페이스를 사용하여 CMC 펌웨어 업데이트

- 1 웹 기반 인터페이스에 로그인합니다 . M1000e 구성 설명서의 " 웹 기반 인터페이스를 사용하여 CMC 로그인 " 을 참조하십시오 .
- 2 시스템 트리에서 Chassis(새시) 를 클릭합니다 .
- 3 Update(업데이트) 탭을 클릭합니다 . Updatable Components (업데이트 가능한 구성요소) 페이지가 나타납니다 .
- 4 Updatable Components(업데이트 가능한 구성요소) 페이지에서 CMC 이름을 클릭합니다 . Firmware Update(펌웨어 업데이트) 페이지가 나타납니다 .

- 5 Value(값) 필드에서 관리 스테이션 또는 펌웨어 이미지 파일이 있는 공유 네트워크의 경로를 입력하거나 **Browse**(찾아보기) 를 클릭하여 파일 위치를 탐색합니다.



주 : 기본 CMC 펌웨어 이미지 이름은 **firming.cmc** 이며 파일 이름은 변경할 수 없습니다 . 파일 이름은 항상 동일하므로 다른 펌웨어 버전은 따로 보관하십시오 .

- 6 Update(업데이트)를 클릭합니다. 작업을 확인하라는 대화 상자가 표시됩니다 .
- 7 Yes(예) 를 클릭하여 계속 진행합니다 . 펌웨어 전송 프로세스가 시작되고 , 상태가 " 펌웨어 업데이트가 진행 중입니다 " . 라는 메시지를 표시합니다 . CMC 업데이트가 완료되면 CMC 가 재설정됩니다 . 재설정이 완료되면 **User Interface**(사용자 인터페이스) 페이지를 새로 고친 후 다시 로그인해야 합니다 .

RACADM 을 사용하여 CMC 펌웨어 업데이트

- 1 CMC 명령줄 콘솔을 열고 로그인합니다 .
- 2 다음과 같이 입력하십시오 .

```
racadm fwupdate -g -u -a <TFTP 서버 IP 주소> -d  
< 파일 경로 > -m <cmc-active|cmc-standby>
```

CMC 모듈 구성 및 작동 방법에 대한 지침은 최신 *Dell 새시 관리 컨트롤러 사용 설명서* (support.dell.com) 를 참조하십시오 .

PowerEdge M905 and M805 블레이드 — 메모리 스페어링 요구사항

다음 정보는 *하드웨어 소유자 설명서* 및 이러한 블레이드 시스템 정보 레이블의 메모리 배분 부절을 갱신한 것입니다 .

PowerEdge M905

24 개의 동일한 메모리 모듈 (DIMM) 이 설치된 경우 메모리 배분이 지원됩니다 .

PowerEdge M805

16 개의 동일한 메모리 모듈이 설치된 경우 메모리 배분이 지원됩니다 .

새 중간 카드

블레이드는 다음과 같은 추가 중간 카드를 지원합니다.

- Intel® Gigabit ET Quad-Port Mezzanine Card. 지원 표의 8 페이지에 있는 140 페이지의 "4 중 포트 중간 카드에 대한 구성 표" 를 참조하십시오.
- M 시리즈 블레이드용 Broadcom NetXExtreme II 5709 Quad Port Ethernet Mezzanine Card. 지원 표의 8 페이지에 있는 140 페이지의 "4 중 포트 중간 카드에 대한 구성 표" 를 참조하십시오.
- M 시리즈 블레이드용 TOE 및 iSCSI 오프로드가 있는 Broadcom NetXtreme II 57711 Dual Port 10 Gb Ethernet Mezzanine Card
- Broadcom 57710 10Gb Ethernet 카드
- Emulex LPe1205-M FC8 카드
- ConnectX MDI QDR



주 : FC8 중간 카드 및 I/O 모듈을 지원하려면 CMC 펌웨어 버전 1.3 이 필요합니다.



주 : 메자닌 카드의 연결 조정을 지원하기 위해 CMC 펌웨어 버전 2.0 이 필요합니다.

메자닌 카드 설치에 대한 자세한 내용은 *하드웨어 소유자 설명서*의 "시스템 구성요소 설치" 부분을 참조하십시오. 특정 카드 구성에 대한 자세한 내용은 support.dell.com 에서 카드 설명서를 참조하십시오.

새 I/O 모듈

시스템은 다음과 같은 추가 I/O 모듈을 지원합니다.

- Dell PowerConnect™ M8024 10Gb 이더넷 스위치 모듈
- Mellanox M2401G DDR Infiniband 스위치 모듈
- Brocade M5424 FC8 스위치 모듈
- Mellanox M3601Q QDR Infiniband 스위치 모듈



주 : FC8 중간 카드 및 I/O 모듈을 지원하려면 CMC 펌웨어 버전 1.3 이 필요합니다.

이러한 모듈은 핫 스왑 가능하며 패브릭 B 또는 패브릭 C 에 설치될 수 있습니다. 다음의 추가 세부 정보에 유의하십시오.

- M8024 이더넷 스위치 모듈은 패브릭 A 에 설치할 수도 있지만 이 패브릭에서는 1Gb 로만 작동합니다.
- M3601Q QDR 스위치의 듀얼 와이드 특성 및 M1000e 의 물리적 제약 때문에 이 스위치 모듈은 I/O 모듈 뱅크의 패브릭 B 와 C 모두에 걸쳐 설치됩니다.
- I/O 모듈 설치에 대한 일반적인 내용은 *하드웨어 소유자 매뉴얼의 "I/O Modules(I/O 모듈)"* 을 참조하십시오.

PowerConnect M8024 10Gb 이더넷 스위치 I/O 모듈

PowerConnect M8024 스위치 모듈은 다음과 같은 모듈을 지원하는 2 개의 옵션 베이를 통합합니다.

- 4 개의 광학 SFP+ 커넥터가 있는 10Gb 이더넷 모듈
- 3 개의 동 CX4 업링크가 있는 10Gb 이더넷 모듈

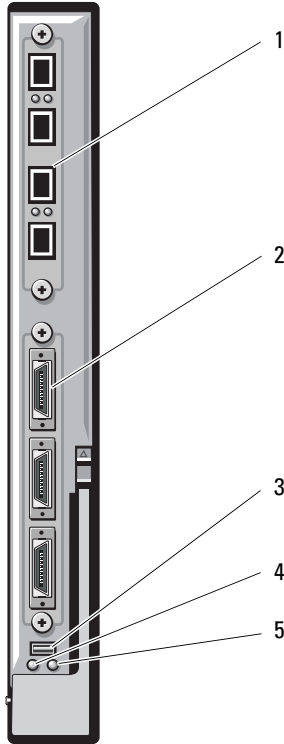
모듈은 조합하여 사용될 수 있으며 별도로 판매됩니다.

다음 두 가지 방법 중 하나를 사용하여 스위치를 초기에 구성할 수 있습니다.

- USB 유형 A 폼 팩터 직렬 케이블(선택 사양)을 사용하여 외부 관리 시스템을 스위치에 연결하고 터미널 응용프로그램을 사용하여 스위치를 구성합니다.
- iKVM CMC 콘솔 ("17 번째 블레이드") 및 **connect switch-n** CMC CLI 명령을 사용합니다. 자세한 내용은 CMC 사용 설명서를 참조하십시오.

IP 주소가 관리 VLAN 또는 인터페이스에 할당되고 스위치가 관리 네트워크에 연결된 경우 네트워크를 통해 텔넷과 http 를 모두 사용할 수 있습니다.

그림 1-1. PowerConnect M8024 스위치 모듈

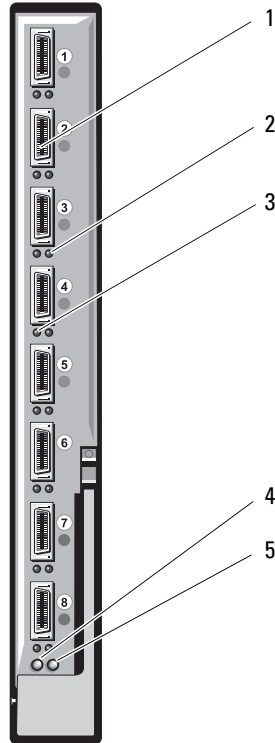


- | | | | |
|---|-----------------------------------|---|----------------------------|
| 1 | 4 개의 SFP+ 포트가 있는 모듈 (선택 사양) | 2 | 3 개의 CX4 포트가 있는 모듈 (선택 사양) |
| 3 | USB 유형 A 폼 팩터 케이블 (선택 사양)용 직렬 커넥터 | 4 | 모듈 전원 표시등 |
| 5 | 상태 / 식별 표시등 | | |

Mellanox M2401G Infiniband 스위치 I/O 모듈

Mellanox M2401G Infiniband 스위치 I/O 모듈에는 24 개의 4x DDR Infiniband 포트가 포함되어 있습니다. 8 개의 포트는 외부 업링크 포트이고 16 개의 내부 포트는 인클로저의 블레이드에 연결하는 데 사용됩니다.

그림 1-2. Mellanox M2401G Infiniband 스위치 모듈




- | | | | |
|---|---------------------|---|--------------------|
| 1 | Infiniband 포트 (8 개) | 2 | 포트 링크 상태 표시등 (8 개) |
| 3 | 포트 작동 표시등 (8 개) | 4 | 모듈 전원 표시등 |
| 5 | 상태 / 식별 표시등 | | |

표 1-5. Mellanox M2401G Infiniband 스위치 표시등

표시등	패턴	설명
연결 표시등	녹색으로 켜짐	실제 링크가 설정됨
	녹색으로 꺼짐	실제 링크가 현재 없음
작동 표시등	호박색으로 켜짐	Infiniband 네트워크에 대한 유효한 논리 링크가 설정됨
	호박색으로 깜박임	데이터 전송 발생
	호박색으로 꺼짐	Infiniband 네트워크에 대한 논리 링크가 없음

Brocade M5424 FC8 I/O 모듈

Brocade M5424 I/O 모듈에는 외부 자동 감지 파이버 채널 포트 8 개 (4 개 포트는 표준 구성으로 활성화되고, 나머지 4 개 포트는 업그레이드 선택 사양으로 활성화할 수 있음), 내부 포트 16 개 및 RJ-45 커넥터가 있는 직렬 포트 1 개가 포함되어 있습니다. 외부 파이버 채널 포트는 8Gb/sec, 4Gb/sec 또는 2Gb/sec 에서 작동합니다.

 **주 :** FC8 중간 카드 및 I/O 모듈을 지원하려면 CMC 펌웨어 버전 1.3 이 필요합니다.


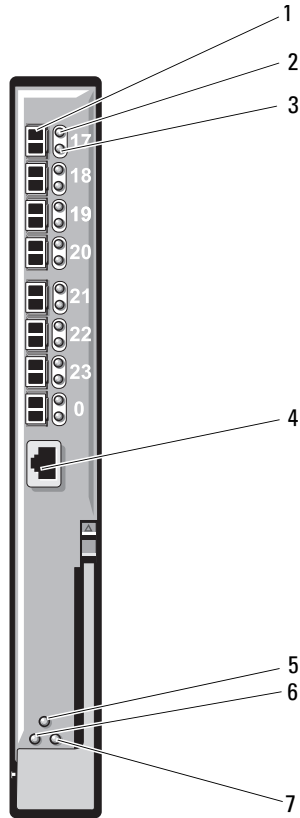
 **주 :** 이 파이버 채널 스위치 모듈에는 단파 SFP(Small Form Factor Pluggable) 광학 송수신기가 포함되어 있습니다. 정상적인 작동을 위해서는 이 모듈과 함께 제공되는 SFP 만 사용하십시오.

그림 1-3. Brocade M5424 FC8 I/O 모듈




- | | | | |
|---|-------------------------|---|-------------------------|
| 1 | 파이버 채널 포트 (8 개) | 2 | 파이버 채널 포트 상태 표시등 (8 개) |
| 3 | 파이버 채널 포트 속도 표시등 (8 개) | 4 | 직렬 포트 (RJ-45 커넥터) |
| 5 | 상태 표시등 | 6 | 모듈 전원 표시등 |
| 7 | 상태 / 식별 표시등 | | |


표 1-6. Brocade M5424 FC8 I/O 모듈


표시등 종류	패턴	설명
Fibre Channel 포트 상태 표시등	꺼짐	신호 캐리어 없음
	호박색으로 켜짐	신호가 있지만 온라인 상태가 아님
	녹색으로 켜짐	온라인 상태이지만 작동 안 함
	녹색으로 천천히 깜박임	온라인 상태이지만 분할됨
	녹색으로 빠르게 깜박임	내부 루프백
	녹색으로 깜박임	포트에서 I/O 작동
	호박색으로 천천히 깜박임	포트 비활성화
	호박색으로 빠르게 깜박임	포트에 오류 또는 장애 발생
Fibre Channel 포트 속도 표시등	꺼짐	2Gb 링크 설치
	녹색으로 켜짐	4Gb 링크 설치
	호박색으로 켜짐	8Gb 링크 설치
모듈 상태 표시등	꺼짐	모듈이 꺼져 있거나 인클로저가 꺼져 있습니다.
	녹색으로 켜짐	모든 포트가 사용할 준비가 되었습니다.
	호박색으로 켜짐	모듈이 부팅 재설정 중이거나 포트가 오프라인 상태입니다.
녹색 / 호박색 깜박임	진단 메시지에 오류 로그가 있거나 환경 범위가 초과되었습니다.	
모듈 전원 표시등	꺼짐	모듈의 전원이 꺼져 있습니다.
	녹색	모듈이 켜져 있습니다.
상태 / 식별 표시등	청색으로 켜짐	스택의 주 모듈 (해당하는 경우)
	청색으로 꺼짐	스택의 보조 모듈
	호박색으로 깜박임	모듈에 장애가 발생했습니다.


하드 드라이브 설치 업데이트

- PowerEdge M805 및 M905 블레이드는 1 - 2 개의 2.5 인치 SAS 하드 디스크 드라이브를 지원합니다.
- PowerEdge M710 블레이드는 1 - 4 개의 2.5 인치 SAS 하드 드라이브를 지원합니다.
- PowerEdge M610, M600 및 M605 블레이드는 1 - 2 개의 2.5 인치 SATA 하드 드라이브, 1 - 2 개의 2.5 인치 SAS 하드 드라이브 또는 1 - 2 개의 SSD(Solid State Disk) 하드 드라이브를 지원합니다.

 **주 :** SAS 와 SATA 하드 드라이브는 블레이드에서 함께 사용할 수 없습니다.

 **주 :** 핫 플러그 작업은 RAID 컨트롤러 카드 (선택 사양) 를 설치한 경우에만 지원됩니다.


 **주 :** SATA 하드 드라이브는 SATA 리피터 도터 카드와 핫 스왑이 불가능합니다.


 **주의 :** 블레이드 냉각을 위한 적절한 공기 흐름을 확보하기 위해 각 하드 드라이브 베이에는 활성 하드 드라이브 또는 드라이브 보호물이 있어야 합니다.

하드 드라이브 설치 지침

- RAID 컨트롤러 저장소 카드를 설치한 경우 블레이드에서 핫 플러그 드라이브 분리 및 설치가 지원됩니다.
- 최대 개수보다 적은 수의 하드 드라이브를 설치한 경우 하드 드라이브 보호물을 설치하여 적절한 냉각을 위한 공기 흐름을 유지해야 합니다.

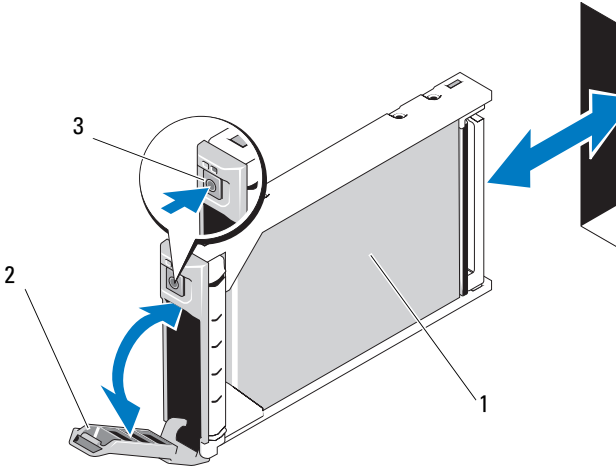
하드 드라이브 설치

 **주 :** 교체용 핫 스왑 가능 하드 드라이브를 설치하고 블레이드의 전원을 켜면 하드 드라이브에서 자동으로 재구축이 시작됩니다. 교체용 하드 드라이브는 비어 있거나 덮어쓸 데이터만 있어야 합니다. 교체용 하드 드라이브에 있는 모든 데이터는 하드 드라이브를 설치하는 즉시 지워집니다.

 **주 :** 일부 운영 체제는 핫 플러그 드라이브 설치를 지원하지 않습니다. 운영 체제와 함께 제공된 설명서를 참조하십시오.

1 하드 드라이브 캐리어 핸들을 엽니다. 그림 1-4 를 참조하십시오.

그림 1-4. 하드 드라이브 설치



- | | | | |
|---|---------|---|--------|
| 1 | 하드 드라이브 | 2 | 캐리어 핸들 |
| 3 | 분리 단추 | | |

- 2 하드 드라이브 캐리어를 드라이브 베이에 끼웁니다. 블레이드의 해당 드라이브 슬롯에 하드 드라이브 캐리어의 채널을 조심스럽게 맞춥니다.
- 3 핸들이 블레이드에 닿을 때까지 드라이브 캐리어를 슬롯에 밀어 넣습니다.
- 4 제자리에 고정될 때까지 캐리어를 슬롯에 밀어 넣으면서 캐리어 핸들을 잠금 위치로 돌립니다.

드라이브가 올바르게 설치되면 상태 LED 표시등이 녹색으로 계속 켜져 있습니다. 드라이브가 재구축되면 드라이브 캐리어 LED 가 녹색으로 깜박입니다. 드라이브 캐리어 LED 가 켜지지 않으면 *하드웨어 소유자 매뉴얼*의 "Troubleshooting SAS and SATA Drives(SAS 및 SATA 드라이브 문제 해결)"를 참조하십시오.

하드 드라이브 분리



주: 일부 운영 체제는 핫 플러그 드라이브 설치를 지원하지 않습니다. 운영 체제와 함께 제공된 설명서를 참조하십시오.

- 1 하드 드라이브를 오프라인으로 설정한 다음 드라이브 캐리어의 하드 드라이브 표시등 코드가 드라이브를 안전하게 분리할 수 있음을 표시할 때까지 기다립니다.
표시등이 모두 꺼지면 드라이브를 분리할 준비가 된 것입니다.
하드 드라이브를 오프라인으로 설정하는 방법에 대한 자세한 내용은 운영 체제 설명서를 참조하십시오.
- 2 하드 드라이브 캐리어 핸들을 열어 드라이브를 분리합니다.
그림 1-4 를 참조하십시오.
- 3 하드 드라이브가 드라이브 베이에서 나올 때까지 밖으로 밀니다.
하드 드라이브를 영구적으로 제거하려면 보호물 삽입기를 설치합니다.

하드 드라이브 수리를 위한 종료 절차



주: 이 항목의 설명은 하드 드라이브를 수리하기 위해 블레이드의 전원을 꺼야 하는 상황에만 적용됩니다. 대부분의 경우 하드 드라이브는 블레이드의 전원을 켜 상태에서 수리할 수 있습니다.

블레이드의 전원을 끄고 하드 드라이브를 수리해야 하는 경우 블레이드의 전원 표시등이 꺼진 후 30 초 정도 기다렸다가 하드 드라이브를 분리합니다. 그렇지 않으면 하드 드라이브를 재설치하고 블레이드의 전원을 다시 켜 후에 인식하지 못할 수 있습니다.

부팅 드라이브 구성

시스템이 부팅되는 드라이브 또는 장치는 시스템 설치 프로그램에서 지정한 부팅 순서에 의해 결정됩니다. *하드웨어 소유자 매뉴얼*에 있는 "Using the System Setup Program and UEFI Boot Manager(시스템 설치 프로그램 및 UEFI 부팅 관리자)" 를 참조하십시오.

하드 드라이브 캐리어에서 하드 드라이브 분리

△ 주의 : 정전기에 민감한 구성요소가 있는 장비를 다룰 경우 항상 손목 접지대를 사용합니다 .

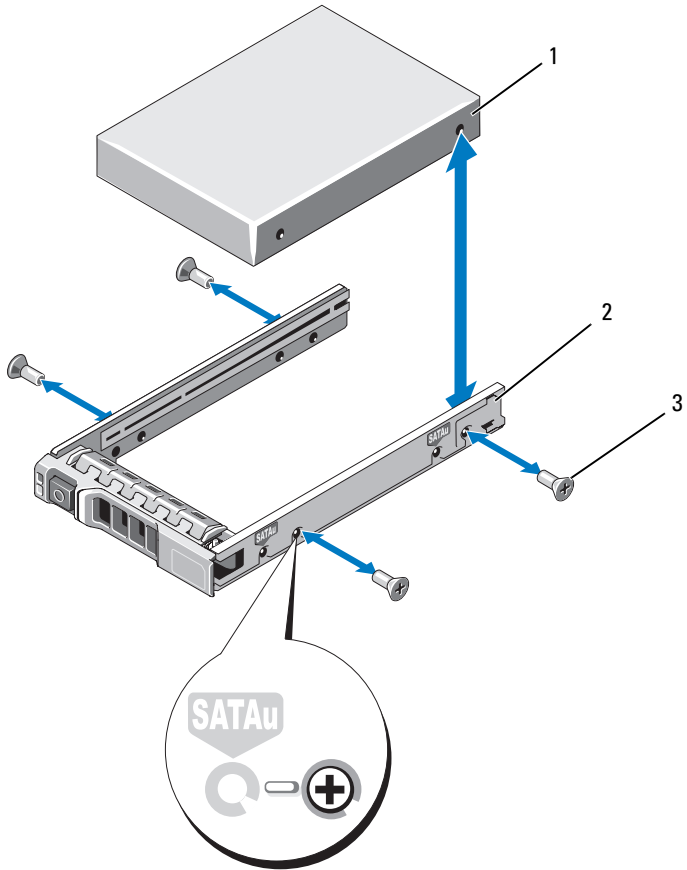
캐리어의 드라이브를 교체할 경우 하드 드라이브 캐리어의 슬라이드 레일에서 4 개의 나사를 분리한 후 캐리어에서 하드 드라이브를 분리합니다 .
그림 1-5 를 참조하십시오 .

드라이브 캐리어에 하드 드라이브 설치

- 1 드라이브의 드라이브 컨트롤러 보드 커넥터 끝이 캐리어 후면에 놓이도록 하드 드라이브를 하드 드라이브 캐리어에 밀어 넣습니다 . 그림 1-5 를 참조하십시오 .
- 2 캐리어의 후면에서 캐리어 전면의 중지 탭에 닿을 때까지 드라이브를 캐리어에 밀어 넣습니다 .
- 3 하드 드라이브의 나사 구멍을 하드 드라이브 캐리어의 구멍에 맞춥니다 . SATA 드라이브의 경우 드라이브 장착 구멍을 SATA 라고 표시된 캐리어 장착 구멍에 맞춥니다 . 그림 1-5 를 참조하십시오 .
- 4 하드 드라이브를 하드 드라이브 캐리어에 고정하는 나사 4 개를 장착합니다 .

△ 주의 : 드라이브 또는 캐리어의 손상을 방지하려면 나사를 너무 세게 조이지 마십시오 .

그림 1-5. 하드 드라이브 분리 및 드라이브 캐리어에 하드 드라이브 설치



- 1 하드 드라이브
- 3 나사 (4 개)

- 2 드라이브 캐리어

Sistemas Dell™ PowerEdge™
M905, M805, M710, M610,
M605 y M600

Actualización de información



Notas y precauciones



NOTA: Una NOTA proporciona información importante que le ayudará a utilizar mejor el ordenador.



PRECAUCIÓN: Un mensaje de PRECAUCIÓN indica la posibilidad de daños en el hardware o la pérdida de datos si no se siguen las instrucciones.

La información contenida en este documento puede modificarse sin previo aviso.

© 2008–2009 Dell Inc. Todos los derechos reservados.

Queda estrictamente prohibida la reproducción de este material en cualquier forma sin la autorización por escrito de Dell Inc.

Marcas comerciales utilizadas en este texto: *Dell* y el logotipo de *DELL*, *PowerEdge*, *PowerConnect* y *OpenManage* son marcas comerciales de Dell Inc.; *Microsoft*, *Windows* y *Windows Server* son marcas comerciales o marcas comerciales registradas de Microsoft Corporation en los Estados Unidos o en otros países.

Otras marcas y otros nombres comerciales pueden utilizarse en este documento para hacer referencia a las entidades que los poseen o a sus productos. Dell Inc. renuncia a cualquier interés sobre la propiedad de marcas y nombres comerciales que no sean los suyos.

Actualizaciones de Microsoft®

En la página web de ayuda y soporte técnico de Microsoft (support.microsoft.com) están documentados los problemas siguientes:

- Los sistemas con Microsoft® Windows Server® 2003 o Windows Server 2008 no se pueden establecer en el modo de hibernación si tienen más de 4 GB de memoria instalada. Para obtener más información, consulte el artículo de Knowledge Base de la página web support.microsoft.com/kb/888575.
- Los sistemas con Windows Server 2008 no admiten el inicio iSCSI si tienen instalada una tarjeta SD en el módulo SD interno. Asimismo, el inicio iSCSI no funciona si hay conectado un dispositivo de almacenamiento USB externo al sistema. Se trata de un problema conocido por Microsoft. Para obtener más información, consulte el artículo de Knowledge Base de la página web support.microsoft.com/kb/968410.

Información de Dell Update Package

Durante el proceso de instalación de Dell Update Package (DUP), es posible que aparezcan mensajes relacionados con los temas siguientes.



NOTA: Estos mensajes son meramente informativos.

- Detección de hardware de Windows
- Problema de configuración de hardware de Windows
- Reenumeración de VFlash y cambios momentáneos de letras de unidad en Windows



PRECAUCIÓN: Se recomienda que no se produzca (o efectúe) ninguna operación de escritura durante la instalación de DUP en VFlash.

- Petición de reinicio del sistema después de que se cierre la interfaz al controlador Unified Server Configurator o el repositorio de diagnóstico



NOTA: No reinicie el sistema hasta que se muestre el mensaje completo.

Opciones para la alimentación de memoria y la administración del rendimiento

Las opciones para la alimentación de memoria y la administración del rendimiento de la pantalla **Power Management** son **Maximum Performance** (Rendimiento máximo), una frecuencia determinada o *Minimum Power* (Energía mínima).

Memoria del sistema: PowerEdge M710

La siguiente tabla es un apéndice de la tabla 3-5 “Ejemplos de configuraciones de memoria de PowerEdge M710” del *Manual del propietario del hardware*.

Memoria física total	Módulos de memoria: número y tipo	Ubicación del módulo de memoria	Procesadores	Modo de memoria	Memoria disponible
24 GB	12 RDIMM de 2 GB	A2, A3, A5, A6, A8, A9, B2, B3, B5, B6, B8, B9	Dos	ECC avanzada	24 GB

Actualización de las especificaciones del sistema

Memoria: Dell™ PowerEdge™ M905 y Dell PowerEdge M805

Arquitectura Módulos de memoria DDR2, clasificados para funcionar a 800–MHz

Módulos de alta densidad PowerEdge: Asignación de puertos de los módulos de E/S (tarjetas intermedias de cuatro puertos)

En la tabla siguiente se muestran las asignaciones de puertos de los módulos de E/S para un módulo de alta densidad de media altura con la tarjeta intermedia de cuatro puertos. En la tabla siguiente, *n* indica un valor de variable del 1 al 16.



NOTA: Para ver las asignaciones de cada sistema PowerEdge con detalle, consulte el documento *Quadport Capable Hardware For the M1000e Modular Chassis* (Hardware compatible con cuatro puertos para el chasis modular M1000e) en support.dell.com/manuals.

Tabla 1-1. Asignaciones de puertos de los módulos de E/S: Módulos de alta densidad de media altura

Módulo de alta densidad <i>n</i>	Módulo de E/S					
	A1	B1	C1	C2	B2	A2
LOM1 integrada	Puerto <i>n</i>					
LOM2 integrada						Puerto <i>n</i>
Mezz_FAB_B_Blade <i>n</i> _Port1			Puerto <i>n</i>			
Mezz_FAB_B_Blade <i>n</i> _Port2					Puerto <i>n</i>	
Mezz_FAB_B_Blade <i>n</i> _Port3			Puerto (<i>n</i> +16)			
Mezz_FAB_B_Blade <i>n</i> _Port4					Puerto (<i>n</i> +16)	
Mezz_FAB_C_Blade <i>n</i> _Port1			Puerto <i>n</i>			
Mezz_FAB_C_Blade <i>n</i> _Port2				Puerto <i>n</i>		
Mezz_FAB_C_Blade <i>n</i> _Port3			Puerto (<i>n</i> +16)			
Mezz_FAB_C_Blade <i>n</i> _Port4				Puerto (<i>n</i> +16)		

En la tabla siguiente se muestran las asignaciones de puertos de los módulos de E/S para módulos de alta densidad de altura completa con tarjetas intermedias de cuatro puertos. En la tabla se utiliza la notación siguiente:

- n indica un valor variable del 1 al 8.
- LOM1 y LOM2 son los puertos LOM del módulo de alta densidad n , y LOM3 y LOM4 son los puertos LOM del módulo de alta densidad $(n+8)$.



NOTA: Para ver las asignaciones de cada sistema PowerEdge con detalle, consulte el documento *Quadport Capable Hardware For the M1000e Modular Chassis* (Hardware compatible con cuatro puertos para el chasis modular M1000e) en support.dell.com/manuals.

Tabla 1-2. Asignaciones de puertos de los módulos de E/S: Módulos de alta densidad de altura completa

Módulo de alta densidad n y módulo de alta densidad ($n+8$)	Módulo de E/S					
	A1	B1	C1	C2	B2	A2
LOM1 integrada	Puerto n					
LOM2 integrada	Puerto n					
LOM3 integrada	Puerto ($n+8$)					
LOM4 integrada	Puerto ($n+8$)					
Mezz_FAB_B_Blade n _Port1	Puerto n					
Mezz_FAB_B_Blade n _Port2	Puerto n					
Mezz_FAB_B_Blade n _Port3	Puerto ($n+16$)					
Mezz_FAB_B_Blade n _Port4	Puerto ($n+16$)					
Mezz_FAB_C_Blade n _Port1	Puerto n					
Mezz_FAB_C_Blade n _Port2	Puerto n					
Mezz_FAB_C_Blade n _Port3	Puerto ($n+16$)					

Tabla 1-2. Asignaciones de puertos de los módulos de E/S: Módulos de alta densidad de altura completa (continuación)

Módulo de alta densidad n y módulo de alta densidad ($n+8$)	Módulo de E/S					
	A1	B1	C1	C2	B2	A2
Mezz_FAB_C_Blade n _Port4				Puerto ($n+16$)		
Mezz_FAB_B_Blade $n+8$ _Port1		Puerto ($n+8$)				
Mezz_FAB_B_Blade $n+8$ _Port2					Puerto ($n+8$)	
Mezz_FAB_B_Blade $n+8$ _Port3		Puerto ($n+24$)				
Mezz_FAB_B_Blade $n+8$ _Port4					Puerto ($n+24$)	
Mezz_FAB_C_Blade $n+8$ _Port1			Puerto ($n+8$)			
Mezz_FAB_C_Blade $n+8$ _Port2				Puerto ($n+8$)		
Mezz_FAB_C_Blade $n+8$ _Port3			Puerto ($n+24$)			
Mezz_FAB_C_Blade $n+8$ _Port4				Puerto ($n+24$)		

Módulos de alta densidad PowerEdge: Tabla de compatibilidades de las tarjetas intermedias de cuatro puertos

En las tablas siguientes se muestra la compatibilidad de los sistemas de módulo de alta densidad PowerEdge con la tarjeta intermedia de cuatro puertos. En la tabla se utiliza la notación siguiente.

- X indica que los puertos de la tarjeta intermedia son compatibles con la red Fabric de módulos de entrada/salida.
- Un valor en blanco indica que los puertos de la tarjeta intermedia no son compatibles con la red Fabric de módulos de entrada/salida.
- N/D indica que no existe ninguna red Fabric para los módulos de alta densidad de media altura correspondientes.

Tabla 1-3. Matriz de configuración para la tarjeta intermedia de cuatro puertos

Módulo de alta densidad PowerEdge	Red Fabric B1		Red Fabric C1		Red Fabric B2		Red Fabric C2	
	Puertos 1 y 2	Puerto 3 y 4	Puertos 1 y 2	Puertos 3 y 4	Puertos 1 y 2	Puertos 3 y 4	Puertos 1 y 2	Puertos 3 y 4
M710	X	X	X	X	X	X	X	
M905	X	X			X	X		
M805	X	X			X	X		
M605	X	X			N/D	N/D	N/D	N/D
M610	X	X	X	X	N/D	N/D	N/D	N/D
M600	X	X	X	X	N/D	N/D	N/D	N/D

Módulos de alta densidad PowerEdge M905, M805 y M710: Asignación de puertos de los módulos de E/S (tarjetas intermedias de dos puertos)

Las tablas siguientes constituyen una corrección de partes de la tabla 1-12 que figura en la sección “Información sobre el sistema” del *Manual del propietario del hardware*.

Tabla 1-4. Asignaciones de puertos de los módulos de E/S: Módulos de alta densidad de altura completa

Módulo de alta densidad 1	Módulo de E/S					
	A1	B1	C1	C2	B2	A2
LOM1 integrada	Puerto 1					Puerto 1
LOM2 integrada	Puerto 9					Puerto 9
Mezz1_Fab_C			Puerto 1	Puerto 1		
Mezz2_Fab_B	Puerto 1				Puerto 1	
Mezz3_Fab_C			Puerto 9	Puerto 9		
Mezz4_Fab_B	Puerto 9				Puerto 9	

Módulo de alta densidad 4	Módulo de E/S					
	A1	B1	C1	C2	B2	A2
LOM1 integrada	Puerto 4					Puerto 4
LOM2 integrada	Puerto 12					Puerto 12
Mezz1_Fab_C			Puerto 4	Puerto 4		
Mezz2_Fab_B	Puerto 4				Puerto 4	
Mezz3_Fab_C			Puerto 12	Puerto 12		
Mezz4_Fab_B	Puerto 12				Puerto 12	

Módulo de alta densidad 8	Módulo de E/S					
	A1	B1	C1	C2	B2	A2
LOM1 integrada	Puerto 8		Puerto 8			
LOM2 integrada	Puerto 16		Puerto 16			
Mezz1_Fab_C			Puerto 8	Puerto 8		
Mezz2_Fab_B	Puerto 8		Puerto 8			
Mezz3_Fab_C			Puerto 16	Puerto 16		
Mezz4_Fab_B	Puerto 16		Puerto 16			

Módulo de alta densidad 6	Módulo de E/S					
	A1	B1	C1	C2	B2	A2
LOM1 integrada	Puerto 6		Puerto 6			
LOM2 integrada	Puerto 14		Puerto 14			
Mezz1_Fab_C			Puerto 6	Puerto 6		
Mezz2_Fab_B	Puerto 6		Puerto 6			
Mezz3_Fab_C			Puerto 14	Puerto 14		
Mezz4_Fab_B	Puerto 14		Puerto 14			

Módulos de alta densidad PowerEdge™: Requisitos de la versión Dell™ OpenManage™

Los módulos de alta densidad PowerEdge M905 y M805 requieren la versión 5.4.3 o posterior del software de administración de sistemas OpenManage.



NOTA: OpenManage versión 5.4.3 no admite los módulos de alta densidad PowerEdge M600 ni M605.

Los módulos de alta densidad PowerEdge M610 y M710 requieren la versión 6.0.1 o posterior del software de administración de sistemas OpenManage.



NOTA: La versión 6.0.1 de OpenManage no admite los módulos de alta densidad PowerEdge M600, M605, M805 o M905.

Módulos de alta densidad PowerEdge: Requisitos de firmware de la CMC

Los módulos de alta densidad PowerEdge M905 y M805 requieren la versión 1.2 o posterior del firmware de la controladora de administración del chasis (CMC). Los módulos de alta densidad PowerEdge M610 y M710 requieren la versión 2.0 o posterior del firmware de la CMC. Si se añaden estos módulos de alta densidad a un alojamiento M1000e con una versión del firmware de la CMC anterior, los nuevos módulos de alta densidad no se encenderán.



NOTA: Consulte la guía del usuario de la controladora de administración del chasis más reciente en support.dell.com para obtener instrucciones completas sobre cómo configurar y utilizar el módulo CMC.

Actualización del firmware de la CMC

Descarga del firmware de la CMC

Antes de iniciar la actualización del firmware, descargue la última versión del firmware desde la página web support.dell.com y guárdela en su sistema local.

En el paquete de firmware de la CMC se incluyen los componentes de software siguientes:

- Datos y código de firmware compilado de la CMC
- Interfaz basada en web, archivos JPEG y otros archivos de datos de la interfaz de usuario
- Archivos de configuración predeterminados

Utilice la página **Firmware Update** (Actualización del firmware) para actualizar el firmware de la CMC con la última revisión.



NOTA: Consulte la guía del usuario de la controladora de administración del chasis más reciente en support.dell.com para obtener instrucciones completas sobre cómo configurar y utilizar el módulo CMC.



NOTA: De manera predeterminada, la actualización del firmware mantendrá la configuración actual de la CMC. Durante el proceso de actualización, tiene la posibilidad de restablecer los valores de configuración de la CMC a la configuración predeterminada de fábrica.

Actualización del firmware en una configuración con una CMC redundante



PRECAUCIÓN: En una configuración con una CMC redundante, debe actualizar el firmware de la CMC en ambos módulos. De lo contrario, se puede producir un comportamiento inesperado durante una sustitución tras error o una recuperación tras error de la CMC. Utilice el procedimiento siguiente para implantar la CMC redundante.

- 1 Localice la CMC secundaria o de reserva mediante el comando `RACADM getsysinfo` o mediante la página **Chassis Summary** (Resumen del chasis) de la **interfaz basada en web**. El indicador de estado emitirá una luz azul fija en el módulo CMC principal o activo, y estará apagado en la CMC secundaria o de reserva.
- 2 Actualice primero el firmware en la CMC de reserva. Consulte “Actualización del firmware de la CMC mediante la interfaz basada en web” o “Actualización del firmware de la CMC mediante RACADM”.
- 3 Verifique que el firmware de la CMC secundaria o de reserva se encuentre en el nivel solicitado mediante el comando `getsysinfo` o la interfaz basada en web.
- 4 Una vez que se haya reiniciado la CMC de reserva, actualice el firmware de la CMC principal o activa. Deje que pasen 10 minutos para que se inicie la CMC de reserva.

Consulte “Actualización del firmware de la CMC mediante la interfaz basada en web” o “Actualización del firmware de la CMC mediante RACADM”.
- 5 Verifique que el firmware de la CMC principal o activa se encuentre en el nivel solicitado mediante el comando `getsysinfo` o la interfaz basada en web.
- 6 Una vez que se hayan actualizado las dos CMC con la misma revisión del firmware, utilice el comando `cmchangeover` para restablecer la CMC de la ranura izquierda como principal.

Actualización del firmware de la CMC mediante la interfaz basada en web

- 1 Inicie sesión en la interfaz basada en web. Consulte la sección “Inicio de sesión en la CMC mediante la interfaz basada en web” en la guía de configuración de M1000e.
- 2 Haga clic en **Chassis** (Chasis) en el árbol del sistema.
- 3 Haga clic en la ficha **Update** (Actualizar). Aparece la página **Updatable Components** (Componentes actualizables).
- 4 En la página **Updatable Components** (Componentes actualizables), haga clic en el nombre de la CMC. Aparece la página **Firmware Update** (Actualización del firmware).
- 5 En el campo **Value** (Valor), escriba la ruta de la estación de administración o red compartida donde se encuentra el archivo de imagen del firmware, o bien haga clic en **Browse** (Examinar) para ir a la ubicación del archivo.



NOTA: El nombre predeterminado de la imagen del firmware de la CMC es **firmimg.cmc**, y no se debe modificar. Guarde las diferentes revisiones del firmware en ubicaciones separadas, ya que siempre tendrán el mismo nombre de archivo.

- 6 Haga clic en **Update** (Actualizar). Aparece un cuadro de diálogo donde se le solicita que confirme la acción.
- 7 Haga clic en **Yes** (Sí) para continuar. El proceso de transferencia del firmware se iniciará, y el indicador de estado mostrará el mensaje “Firmware Update in Progress” (Hay una actualización de firmware en curso). Una vez finalizada la actualización de la CMC, ésta se reinicia. Cuando se haya reiniciado, deberá actualizar la página **User Interface** (Interfaz de usuario) para volver a iniciar sesión.

Actualización del firmware de la CMC mediante RACADM

- 1 Abra una consola de línea de comandos de la CMC e inicie sesión.
- 2 Escriba lo siguiente:

```
racadm fwupdate -g -u -a <dirección IP del  
servidor TFTP> -d <ruta del archivo> -m <cmc-  
active|cmc-standby>
```

Consulte la guía del usuario de la controladora de administración del chasis más reciente en support.dell.com para obtener instrucciones completas sobre cómo configurar y utilizar el módulo CMC.

Módulos de alta densidad PowerEdge M905 y M805: Requisitos de la sustitución de memoria

La información siguiente es una actualización de los apartados relativos a la sustitución de memoria incluidos en el *Manual del propietario del hardware* y de las etiquetas de información del sistema de estos módulos de alta densidad.

PowerEdge M905

Se admite la sustitución de memoria si hay instalados 24 módulos de memoria (DIMM) idénticos.

PowerEdge M805

Se admite la sustitución de memoria si hay instalados 16 módulos de memoria idénticos.

Nuevas tarjetas intermedias

Ahora el módulo de alta densidad admite las tarjetas intermedias adicionales siguientes:

- Tarjeta intermedia de cuatro puertos Intel® Gigabit ET. Vea la tabla de compatibilidades “Matriz de configuración para la tarjeta intermedia de cuatro puertos” en la página 166.
- Tarjeta intermedia Ethernet de cuatro puertos Broadcom NetXExtreme II 5709 para módulos de alta densidad serie M. Vea la tabla de compatibilidades “Matriz de configuración para la tarjeta intermedia de cuatro puertos” en la página 166.
- Tarjeta intermedia 10Gb Ethernet de dos puertos Broadcom NetXtreme II 57711 con TOE y descarga de datos a dispositivos periféricos iSCSI para módulos de alta densidad serie M
- Tarjeta 10Gb Ethernet Broadcom 57710
- Tarjeta Emulex LPe1205-M FC8
- ConnectX MDI QDR



NOTA: Se requiere la versión 1.3 del firmware de la CMC para admitir tarjetas intermedias FC8 y módulos de E/S.



NOTA: Se requiere la versión 2.0 del firmware de la CMC para admitir la adaptación de enlaces en tarjetas intermedias.

Para obtener información sobre cómo instalar una tarjeta intermedia, consulte la sección “Instalación de los componentes del sistema” en el *Manual del propietario del hardware*. Para obtener información detallada sobre cómo configurar una tarjeta específica, consulte la documentación de la tarjeta en support.dell.com.

Nuevos módulos de E/S

Ahora el sistema admite los módulos de E/S adicionales siguientes:

- Módulo de conmutador 10Gb Ethernet Dell PowerConnect™ M8024
- Módulo de conmutador Infiniband DDR Mellanox M2401G
- Módulo de conmutador Brocade M5424 FC8
- Módulo de conmutador Infiniband QDR Mellanox M3601Q



NOTA: Se requiere la versión 1.3 del firmware de la CMC para admitir tarjetas intermedias FC8 y módulos de E/S.

Estos módulos son de intercambio activo y se pueden instalar en la red Fabric B o C. Tenga en cuenta los detalles adicionales siguientes:

- El módulo de conmutador Ethernet M8024 también se puede instalar en la red Fabric A, pero sólo funcionará a 1 Gb.
- Debido a la configuración con doble anchura del conmutador QDR M3601Q y a las restricciones físicas del M1000e, cuando se instala este módulo de conmutador se concatenan las redes Fabric B y C del banco de módulos de E/S.
- Para obtener información general sobre la instalación de módulos de E/S, consulte la sección “Módulos de E/S” en el *Manual del propietario del hardware*.

Módulo de E/S del conmutador 10Gb Ethernet PowerConnect M8024

El módulo de conmutador PowerConnect M8024 incorpora dos compartimientos opcionales que admiten los módulos siguientes:

- Un módulo 10Gb Ethernet con cuatro conectores SFP+ ópticos
- Un módulo 10Gb Ethernet con tres enlaces ascendentes CX4 de cobre

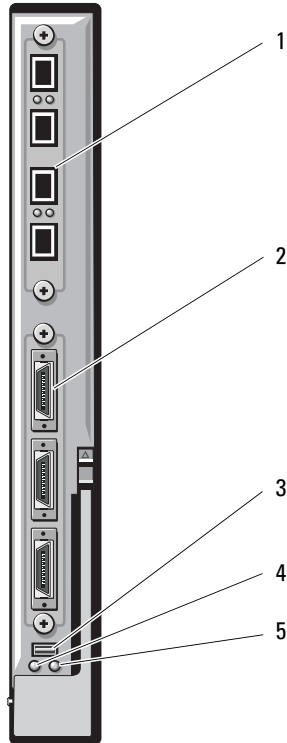
Los módulos se pueden utilizar en cualquier combinación y se venden por separado.

Puede configurar por primera vez el conmutador con uno de los dos métodos siguientes:

- Conecte un sistema de administración externo al conmutador mediante un cable serie de factor de forma de tipo A USB opcional y configure el conmutador mediante una aplicación de terminal.
- Utilice la consola CMC iKVM (“módulo de alta densidad 17”) y el comando de la CLI de la CMC `connect switch-n`. Para obtener más información, consulte la guía del usuario de la CMC.

Una vez que se ha asignado una dirección IP a la interfaz o VLAN de administración y que se ha conectado el conmutador a una red de administración, Telnet y http están disponibles en la red.

Ilustración 1-1. Módulo de conmutador PowerConnect M8024

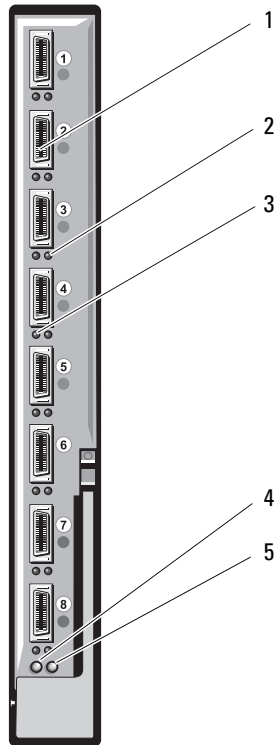


- | | | | |
|---|--|---|--------------------------------------|
| 1 | Módulo opcional con cuatro puertos SFP+ | 2 | Módulo opcional con tres puertos CX4 |
| 3 | Conector serie para el cable de factor de forma de tipo A USB opcional | 4 | Indicador de alimentación del módulo |
| 5 | Indicador de estado/identificación | | |

Módulo de E/S del conmutador Infiniband Mellanox M2401G

El módulo de E/S del conmutador Infiniband Mellanox M2401G incluye 24 puertos Infiniband DDR 4x. Ocho son puertos de enlace ascendente externos, mientras que 16 puertos internos proporcionan conectividad a los módulos de alta densidad del alojamiento.

Ilustración 1-2. Módulo de conmutador Infiniband Mellanox M2401G



- | | | | |
|---|---|---|---|
| 1 | Puertos Infiniband (8) | 2 | Indicadores de estado del enlace del puerto (8) |
| 3 | Indicadores de actividad del puerto (8) | 4 | Indicador de alimentación del módulo |
| 5 | Indicador de estado/identificación | | |

Tabla 1-5. Indicadores del conmutador Infiniband Mellanox M2401G

Indicador	Patrón	Descripción
Indicador de enlace	Luz verde encendida	Se ha establecido un enlace físico.
	Luz verde apagada	No hay ningún enlace físico.
Indicador de actividad	Luz ámbar encendida	Se ha establecido un enlace lógico válido con la red Infiniband.
	Luz ámbar parpadeante	Se están transfiriendo datos.
	Luz ámbar apagada	No se ha establecido ningún enlace lógico con la red Infiniband.

Módulo de E/S Brocade M5424 FC8

El módulo de E/S Brocade M5424 incluye ocho puertos Fibre Channel externos de detección automática (cuatro puertos están habilitados en la configuración estándar y se pueden habilitar cuatro puertos adicionales como ampliación opcional), 16 puertos internos y un puerto serie con un conector RJ-45. Los puertos Fibre Channel externos funcionan a 8 Gb/s, 4 Gb/s o 2 Gb/s.

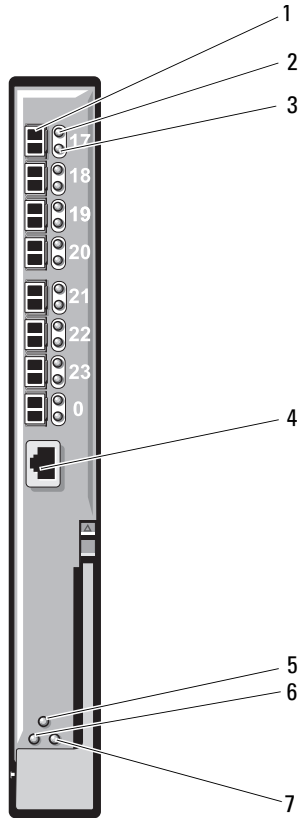


NOTA: Se requiere la versión 1.3 del firmware de la CMC para admitir tarjetas intermedias FC8 y módulos de E/S.



NOTA: Este módulo de conmutador Fibre Channel incluye transeptores ópticos SFP (factor de forma pequeño conectable) de onda corta. Para garantizar un funcionamiento correcto, utilice únicamente los SFP incluidos con este módulo.

Ilustración 1-3. Módulo de E/S Brocade M5424 FC8



- | | | | |
|---|---|---|--|
| 1 | Puerto Fibre Channel (8) | 2 | Indicador de estado del puerto Fibre Channel (8) |
| 3 | Indicador de velocidad del puerto Fibre Channel (8) | 4 | Puerto serie (conector RJ-45) |
| 5 | Indicador de estado | 6 | Indicador de alimentación del módulo |
| 7 | Indicador de estado/identificación | | |

Tabla 1-6. Módulo de E/S Brocade M5424 FC8

Tipo de indicador	Patrón	Descripción
Indicador de estado del puerto Fibre Channel	Apagado	No hay portador de señal.
	Luz ámbar encendida	Hay señal, pero no está conectado.
	Luz verde encendida	Está conectado, pero sin actividad.
	Luz verde con parpadeo lento	Está conectado, pero segmentado.
	Luz verde con parpadeo rápido	Hay un bucle de retorno interno.
	Luz verde parpadeante	Hay actividad de E/S en el puerto.
	Luz ámbar con parpadeo lento	El puerto está deshabilitado.
	Luz ámbar con parpadeo rápido	Se ha producido un error o un fallo en el puerto.
Indicador de velocidad del puerto Fibre Channel	Apagado	Se ha establecido un enlace de 2 Gb.
	Luz verde encendida	Se ha establecido un enlace de 4 Gb.
	Luz ámbar encendida	Se ha establecido un enlace de 8 Gb.


Tabla 1-6. Módulo de E/S Brocade M5424 FC8 (continuación)


Tipo de indicador	Patrón	Descripción
Indicador de estado del módulo	Apagado	El módulo o el alojamiento están apagados.
	Luz verde encendida	Todos los puertos están listos para ser utilizados.
	Luz ámbar encendida	El módulo se está reiniciando, o los puertos están desconectados.
	Luz verde/ámbar parpadeante	Hay un mensaje de diagnóstico en el registro de errores, o se ha superado el intervalo ambiental.
Indicador de alimentación del módulo	Apagado	El módulo está apagado.
	Verde	El módulo recibe alimentación.
Indicador de estado/identificación	Luz azul encendida	El módulo principal se encuentra en una pila, si procede.
	Luz azul apagada	El módulo secundario se encuentra en una pila.
	Luz ámbar parpadeante	Se ha producido una condición de error en el módulo.


Actualizaciones de la instalación de unidades de disco duro


- Los módulos de alta densidad PowerEdge M805 y M905 admiten una o dos unidades de disco duro SAS de 2,5 pulgadas.
- El módulo de alta densidad PowerEdge M710 admite de una a cuatro unidades de disco duro SAS de 2,5 pulgadas.

- Los módulos de alta densidad PowerEdge M610, M600 y M605 admiten una o dos unidades de disco duro SATA de 2,5 pulgadas, una o dos unidades de disco duro SAS de 2,5 pulgadas o bien una o dos unidades de disco duro de estado sólido (SDD).

 **NOTA:** No es posible combinar unidades de disco duro SAS y SATA en un módulo de alta densidad.

 **NOTA:** Se admite el acoplamiento activo si hay una tarjeta controladora RAID opcional instalada.


 **NOTA:** Las unidades de disco duro SATA no son de intercambio activo con la tarjeta secundaria repetidora SATA.


 **PRECAUCIÓN:** Para garantizar un flujo de aire adecuado para la refrigeración del módulo de alta densidad, cada compartimiento para unidades de disco duro debe contener una unidad de disco duro activa o bien una unidad de relleno.

Pautas para la instalación de unidades de disco duro

- Si hay instalada una tarjeta controladora RAID de almacenamiento, el módulo de alta densidad admite la extracción e instalación de unidades de acoplamiento activo.
- Si hay instaladas menos unidades de disco duro que el número máximo, se deben instalar unidades de disco duro de relleno para mantener el flujo de aire de refrigeración adecuado.

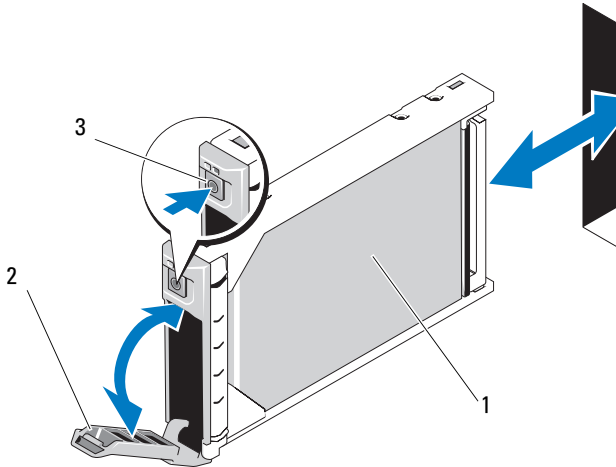
Instalación de una unidad de disco duro

 **NOTA:** Cuando hay instalada una unidad de disco duro de intercambio activo de repuesto y se enciende el módulo de alta densidad, la unidad de disco duro empieza la regeneración automáticamente. Asegúrese de que la unidad de disco duro de repuesto está vacía o contiene datos que desea sobrescribir. Los datos que pueda haber en la unidad de disco duro de repuesto se perderán nada más instalarla.

 **NOTA:** No todos los sistemas operativos admiten la instalación de unidades de acoplamiento activo. Consulte la documentación incluida con el sistema operativo.

- 1 Abra el asa del portaunidades de disco duro. Vea la ilustración 1-4.

Ilustración 1-4. Instalación de una unidad de disco duro



- | | | | |
|---|----------------------|---|-----------------------|
| 1 | Unidad de disco duro | 2 | Asa del portaunidades |
| 3 | Botón de liberación | | |

- 2 Inserte el portaunidades de disco duro en el compartimiento para unidades. Alinee con cuidado el canal del portaunidades de disco duro con la ranura adecuada para la unidad en el módulo de alta densidad.
- 3 Inserte el portaunidades en la ranura hasta que el asa entre en contacto con el módulo de alta densidad.
- 4 Gire el asa del portaunidades hasta la posición de cierre mientras continúa insertando el portaunidades en la ranura hasta que encaje en su lugar.

El indicador LED de estado emite una luz verde fija si la unidad está instalada correctamente. El indicador LED de color verde del portaunidades parpadea mientras se regenera la unidad. Si el LED del portaunidades no se enciende, consulte “Solución de problemas de las unidades SAS o SATA” en el *Manual del propietario del hardware*.

Extracción de una unidad de disco duro



NOTA: No todos los sistemas operativos admiten la instalación de unidades de acoplamiento activo. Consulte la documentación incluida con el sistema operativo.

- 1 Desconecte la unidad de disco duro y espere a que los códigos de los indicadores de la unidad de disco duro del portaunidades indiquen que la unidad puede extraerse de forma segura.

Cuando todos los indicadores se apagan, la unidad está lista para la extracción.

Para obtener más información sobre cómo desconectar la unidad de disco duro, consulte la documentación del sistema operativo.

- 2 Abra el asa del portaunidades de disco duro para liberar la unidad. Vea la ilustración 1-4.
- 3 Deslice la unidad de disco duro hasta extraerla del compartimiento para unidades.

Si va a extraer la unidad de disco duro de forma permanente, instale una tapa de relleno.

Procedimiento de apagado para reparar una unidad de disco duro



NOTA: Esta sección sólo es aplicable cuando debe apagarse el módulo de alta densidad para reparar una unidad de disco duro. En muchas situaciones, la unidad de disco duro puede repararse mientras el módulo de alta densidad está encendido.

Si necesita apagar el módulo de alta densidad para reparar una unidad de disco duro, espere 30 segundos una vez que se haya apagado el indicador de alimentación del módulo de alta densidad. A continuación, extraiga la unidad de disco duro. Si no lo hace así, es posible que no se reconozca la unidad de disco duro cuando vuelva a instalarla y vuelva a encender el módulo de alta densidad.

Configuración de la unidad de inicio

La unidad o el dispositivo desde el que se inicia el sistema está determinado por la secuencia de inicio especificada en el programa de configuración del sistema. Consulte “Uso del programa de configuración del sistema y de UEFI Boot Manager” en el *Manual del propietario del hardware*.

Extracción de una unidad de disco duro de un portaunidades de disco duro

 **PRECAUCIÓN:** Utilice una muñequera de conexión a tierra siempre que manipule equipos con componentes sensibles a la electricidad estática.

Si va a sustituir una unidad del portaunidades, quite los cuatro tornillos de los rieles deslizantes del portaunidades de disco duro y extraiga la unidad de disco duro del portaunidades. Vea la ilustración 1-5.

Instalación de una unidad de disco duro en un portaunidades

- 1** Inserte la unidad de disco duro en el portaunidades de disco duro con el extremo del conector de la tarjeta controladora de la unidad orientado hacia la parte posterior del portaunidades. Vea la ilustración 1-5.
- 2** Desde la parte posterior del portaunidades, deslice la unidad en el portaunidades hasta que entre en contacto con la lengüeta de tope de la parte frontal.
- 3** Alinee los orificios para tornillos de la unidad de disco duro con los orificios del portaunidades de disco duro. En las unidades SATA, alinee los orificios de montaje de la unidad con los orificios de montaje del portaunidades marcados como **SATA**. Vea la ilustración 1-5.
- 4** Inserte los cuatro tornillos para fijar la unidad de disco duro al portaunidades de disco duro.


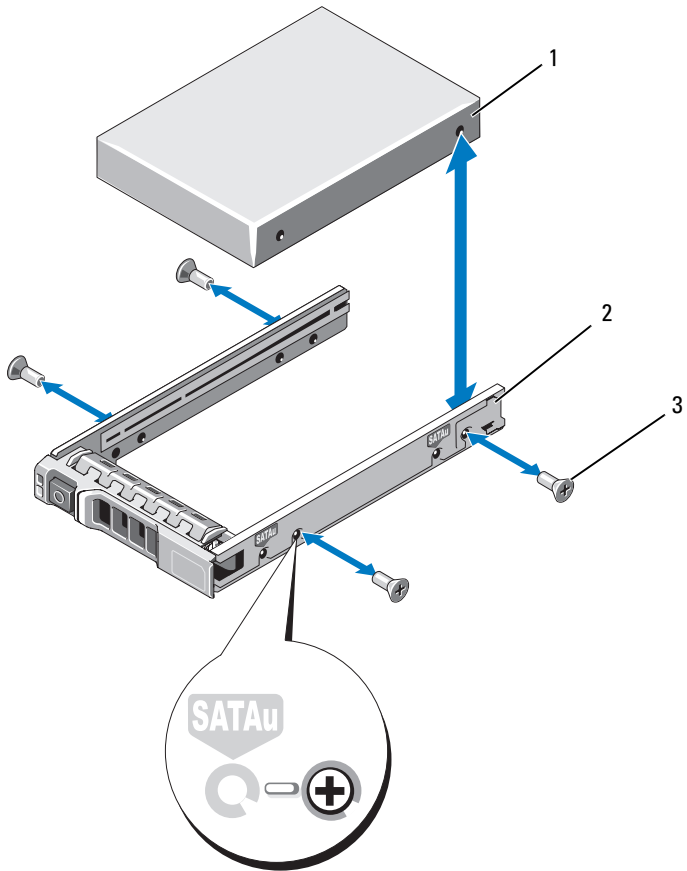
 **PRECAUCIÓN:** Para evitar daños en la unidad o en el portaunidades, no apriete excesivamente los tornillos.

Ilustración 1-5. Extracción e instalación de una unidad de disco duro en un portaunidades



- | | | | |
|---|----------------------|---|---------------|
| 1 | Unidad de disco duro | 2 | Portaunidades |
| 3 | Tornillos (4) | | |

